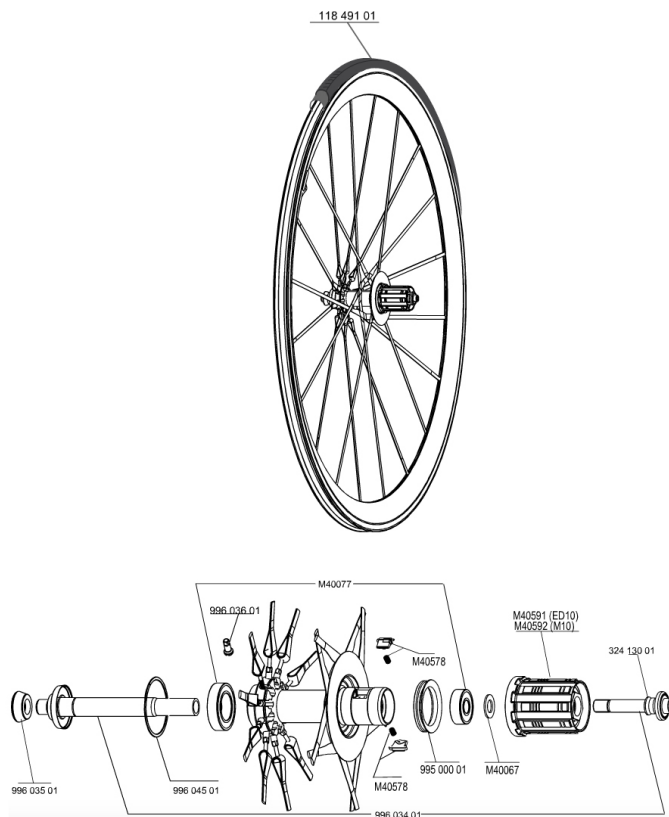


REFERENCES WHEELS

118078	COSMIC CARB ULTI 011ED11 WTS	118410	COSMIC CARB ULTI011 M10 WTS
118079	COSMIC CARB ULTI011M10PR WTS	118411	COSMIC CARB ULTI011ED11PR WTS



SPOKES

99603601	KIT 10 NIPPLES COSMIC CARBON ULTIMATE
----------	---------------------------------------

HUB SHELLS

32413001	REAR AXLE BOLT M11/ED11
M40591	FTSL FREEWHEEL BODY ED10
99603401	REAR AXLE COS.CARBONE ULTIMATE
99500001	FTSL/FTSX FREEHUB BODY SEAL
M40578	FTSL PAWLS KIT (ROAD WHEELS)
99604501	SET OF 2 R.HUB RING COS.CARB.ULTIMATE
M40077	REAR HUB 608+6901 BEARINGS
M40592	FTSL FREEWHEEL BODY M10
M40067	INTERNAL FREEWHEEL SPACER FTSL/FTSX
99603501	R.FORK SUPPORT COS.CARB.ULTIMATE < 2014

TYRES

11849101	Yksion PowerLink Tubular 23
----------	-----------------------------

MAVIC *Cosmic Carbone Ultimate 11***DELIVERED WITH**

Wheelbags	
Carbon brake pads	
Valve extender	
Computer magnet (front wheel)	

Specifications**RIMS**

- **Material** : 100% woven 12K carbon fiber
- **Color** : carbon
- **Height** : 40 mm, rear asymmetrical
- **Drilling** : no holes, spokes molded to the rim
- **Brake track** : carbon
- **Valve hole diameter** : 6.5 mm
- **Tyre** : tubular
- **ETRTO size** : 28" tubular
- **Recommended tyre sizes** : 19 to 28 mm

SPOKES

- **Material** : unidirectional carbon fiber
- **Shape** : R2R
- **Color** : carbon
- **Nipples** : brass, ABS
- **Count** : 20 front and rear
- **Lacing** : crossed 2 front and rear drive side, radial non drive side

WHEEL HUB

- **Front body** : Front 100% carbon
 - **Rear body** : aluminum
 - **Color** : front carbon, rear black
 - **Front axle material** : aluminum
 - **Rear axle material** : titanium and aluminum
- QRM+
FTS-L steel

WHEEL WEIGHTS