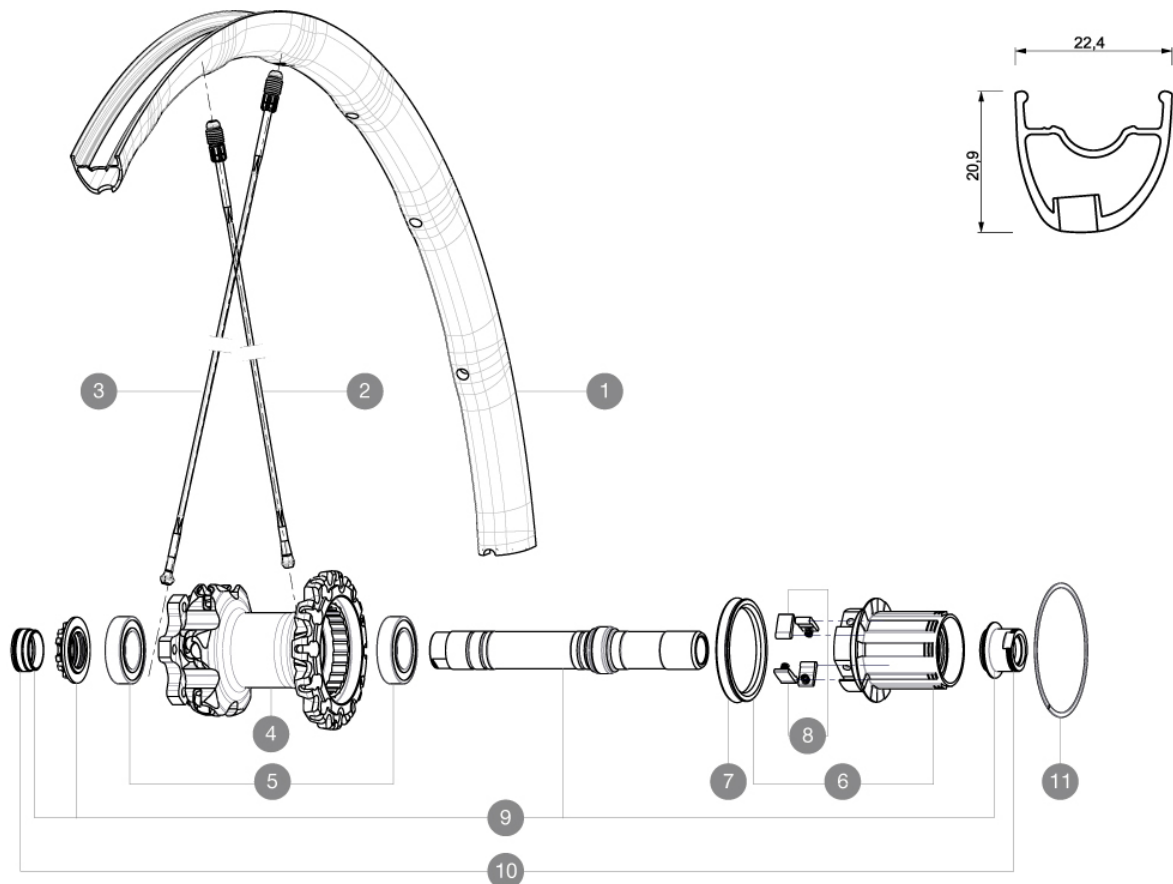


## REFERENCES WHEELS

R16301 Crossmax SL 27.5Pr



### RIMS



VALVE HOLE  $\bar{A}$  (MM): 6.5 :

1 V2310513 KIT REAR RIM CROSSMAX SL/SL PRO BLACK 27,5"

### SPOKES

2 36675101 "KIT 10 DS XMAX SLR/END/PRO/DEEMAX PRO 27,5"" SPK 251,5mm"  
3 36675001 "KIT 10 NDS XMAX SLR/ENDURO 27,5"" ALU SPK 281,5mm"

### HUB SHELLS

4 N/A HUB BODY  
5 M40076 HUB BEARINGS 17x30x7 6903 x 2  
6 35126001 ITS-4 FREEWHEEL BODY + SEAL 2013 (NO PAWLS)  
7 99610701 ITS-4 FREEWHEEL SEAL  
8 99610601 PAWLS KIT FOR ITS-4 (OR TS-2)  
9 30870401 REAR QRM + AXLE KIT ITS4 135mm from 2012  
11 30871801 ELASTIC RING 56mm diam. ITS-4 20 SPOKES

### ADAPTERS

10 30872201 FRAME SUPPORT ITS-4 135mm REAR AXLE > 2012

**MAVIC** *Crossmax SL 27.5***DELIVERED WITH**

BX601 quick releases	
UST valve and accessories	
Front 15 mm adapters	
Rear QR adapters	
Rear 12x142mm adapters	
Specific disc bolts	
Computer magnet (front wheel)	
Multifonction adjustment wrench	
User guide	

**Specifications****RIMS**

- **Material** : Maxtal
  - **Joint** : SUP
  - **Drilling** : Fore
- Disc brake specific profile
- **Weight reduction** : ISM4D
  - **Valve hole diameter** : 6.5 mm
  - **Tyre** : UST Tubeless and tubetype
  - **Internal width** : 19 mm
  - **ETRTO size 26"** : 559x19C
  - **ETRTO size 650b/27.5"** : 584x19C
  - **ETRTO size 29"** : 622x19C
  - **Recommended tyre sizes** : 1.5 to 2.3

**SPOKES**

- **Material** : Zicral
- **Shape** : straight pull, bladed
- **Nipples** : Fore integrated aluminum
- **Count** : 20 front and rear
- **Lacing** : front crossed 2, rear Isopulse

**WHEEL HUB**

- **Front body** : carbon with aluminum flanges
  - **Rear body** : aluminum
  - **Axle material** : aluminum
- Adjustable sealed cartridge bearings
- **Freewheel** : ITS-4 alloy
- Shimano 11 speeds compatible  
XD Compatible (XX1-X01) with optionnal kit

**WHEEL WEIGHTS**

Wheel weight 805