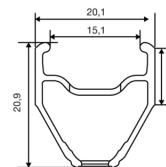
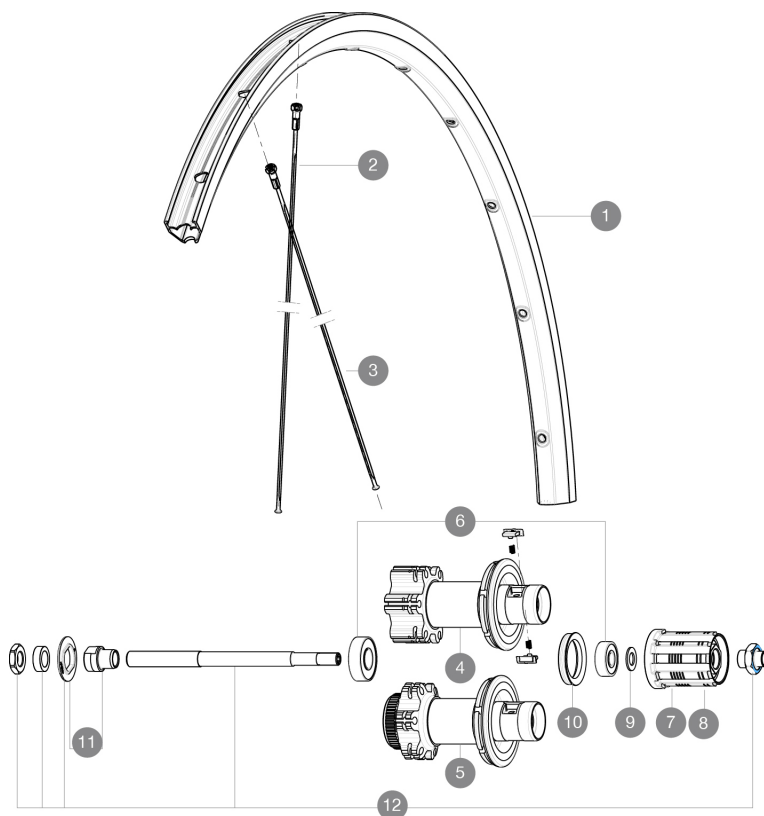


ASTM CATEGORY 2 : road and offroad with jumps less than 15cm
Recommended weight limit : 120kg

REFERENCES WHEELS

R67001 KsyriumDiscRr CL

R66901 KsyriumDiscRr INTL



RIMS



VALVE HOLE \varnothing (MM): 6,5 :

1 V2402915 KIT FRONT/REAR RIM KSYRIUM DISC

SPOKES

2 V2275601 KIT 12 DS KSYRIUM DISC 9mm SPK 289mm
3 35126201 "KIT 12 DS XRIDE+E-XA ELITE 29"/"KSYRIUM DISC SPK 293mm"

HUB SHELLS

4	N/A	HUB BODY
6	M40660	REAR HUB 608+6001 BEARINGS
7	30871101	FTS-L ROAD FREEWHEEL BODY HG11 8/9 compatible
8	30871201	FTS-L ROAD FREEWHEEL BODY ED11 8/9 compatible
9	M40067	INTERNAL FREEWHEEL SPACER FTSL/FTSX
10	99500001	FTSL/FTSX FREEHUB BODY SEAL
11	32348401	EXPANSIBLE BEARINGS SUPPORT
12	32348001	MTB DISC REAR AXLE QRM MTB DISC

MAVIC Ksyrium Disc

DELIVERED WITH

BR101 quick releases	
Rim tape	
Front QR adapters	
User guide	

Specifications

RIMS

- **Material** : S6000 Aluminum
 - **Height** : 25mm
 - **Joint** : SUP
 - **Drilling** : traditional with H2 reinforcement
- Disc brake specific profile
- **Valve hole diameter** : 6.5 mm
 - **Tyre** : clincher
 - **ETRTO size** : 622x15C
 - **Recommended tyre sizes** : 23 to 32 mm

SPOKES

- **Material** : steel
- **Shape** : straight pull, bladed
- **Nipples** : brass, ABS
- **Count** : 24 front and rear
- **Lacing** : front and rear crossed 2

WHEEL HUB

- **Front and rear bodies** : aluminum
 - **Axle material** : front aluminum, rear steel
- Sealed cartridge bearings
- **Freewheel** : FTS-L steel
 - **Front** : convertible to 15mm through axle

WHEEL WEIGHTS

Wheel weight 1020