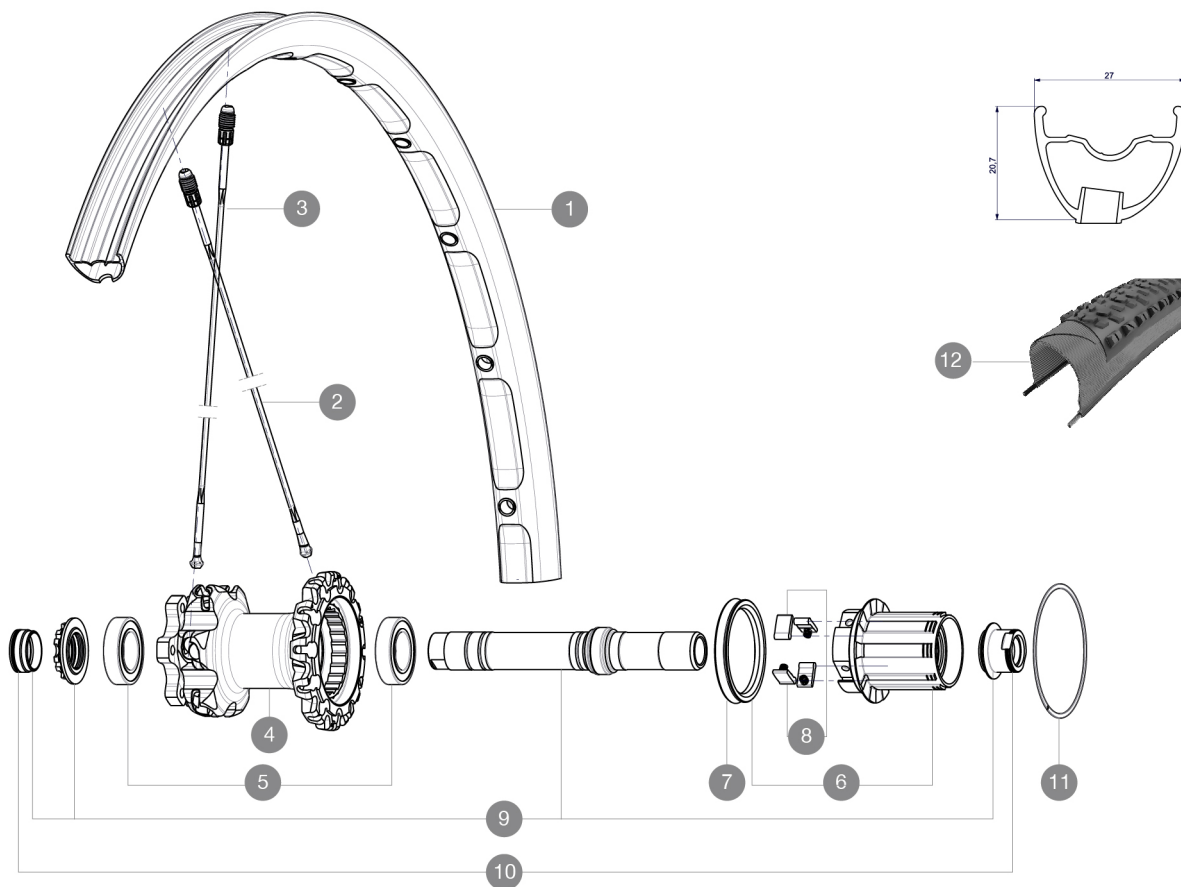


ASTM CATEGORY 4 : offroad with jumps less than 122cm  
Recommended weight limit : 120kg

**REFERENCES WHEELS**

|        |                     |        |                    |
|--------|---------------------|--------|--------------------|
| R78901 | XmXLPro27.5RrXD WTS | R59701 | XmaxXLPro27.5RrWTS |
|--------|---------------------|--------|--------------------|



**RIMS**



VALVE HOLE (MM): 6,5 :

|   |          |                                     |
|---|----------|-------------------------------------|
| 1 | V2311113 | KIT REAR RIM CROSSMAX XL 2015 27,5" |
|---|----------|-------------------------------------|

**SPOKES**

|   |          |  |
|---|----------|--|
| 2 | 36675101 | "KIT 10 DS XMAX SLR/END/PRO/DEEMAX PRO 27,5"" SPK 251,5mm" |
| 3 | 36674901 | KIT 12 FT XMAX END/FT-NDS DEEMAX PRO 27,5" ALU SPK 275mm   |

**HUB SHELLS**

|    |          |   |
|----|----------|---|
| 4  | N/A      | HUB BODY                                    |
| 5  | M40076   | HUB BEARINGS 17x30x7 6903 x 2               |
| 6  | 35126001 | ITS-4 FREEWHEEL BODY + SEAL 2013 (NO PAWLS) |
| 7  | 99610701 | ITS-4 FREEWHEEL SEAL                        |
| 8  | 99610601 | PAWLS KIT FOR ITS-4 (OR TS-2)               |
| 9  | 30870401 | REAR QRM + AXLE KIT ITS4 135mm from 2012    |
| 11 | 30871801 | ELASTIC RING 56mm diam. ITS-4 20 SPOKES     |

**ADAPTERS**

|    |          |  |
|----|----------|--|
| 10 | 30872201 | FRAME SUPPORT ITS-4 135mm REAR AXLE > 2012 |
|----|----------|--|

**MAVIC** *Crossmax XL Pro WTS 27.5***DELIVERED WITH**

|                                 |  |
|---------------------------------|--|
| 1 bottle of Mavic Sealant       |  |
| BX601 rear quick release        |  |
| UST valve and accessories       |  |
| Front 15 mm adapters            |  |
| Rear QR adapters                |  |
| Rear 12x142mm adapters          |  |
| Multifonction adjustment wrench |  |
| User guide                      |  |

**Specifications****RIMS**

- **Material** : Mactal
- **Drilling** : Fore
- **Weight reduction** : ISM
- **Tyre** : UST Tubeless and tubetype
- **Internal width** : 23 mm
- **ETRTO size 26"** : 559x23C
- **ETRTO size 27.5"** : 584x23C
- **ETRTO size 29"** : 622x23C
- **ETRTO recommended tyre sizes** : 37mm to 76mm (1.5" to 3.0")

**SPOKES**

- **Material** : Zicral
- **Shape** : straight pull, bladed
- **Nipples** : Fore integrated aluminum
- **Count** : 24 front and rear
- **Lacing** : front crossed 2, rear Isopulse

**WHEEL HUB**

- **Front and rear bodies** : aluminum
  - **Axle material** : aluminum
- Adjustable sealed cartridge bearings
- **Freewheel** : ITS-4 alloy
- Shimano 11 speeds compatible  
Sram XD Compatible (XX1-X01) with optionnal kit

**WHEEL WEIGHTS**

Wheel weight  
 Weight Rear 26": 870  
 Weight Rear 27.5": 895  
 Weight Rear 29": 930