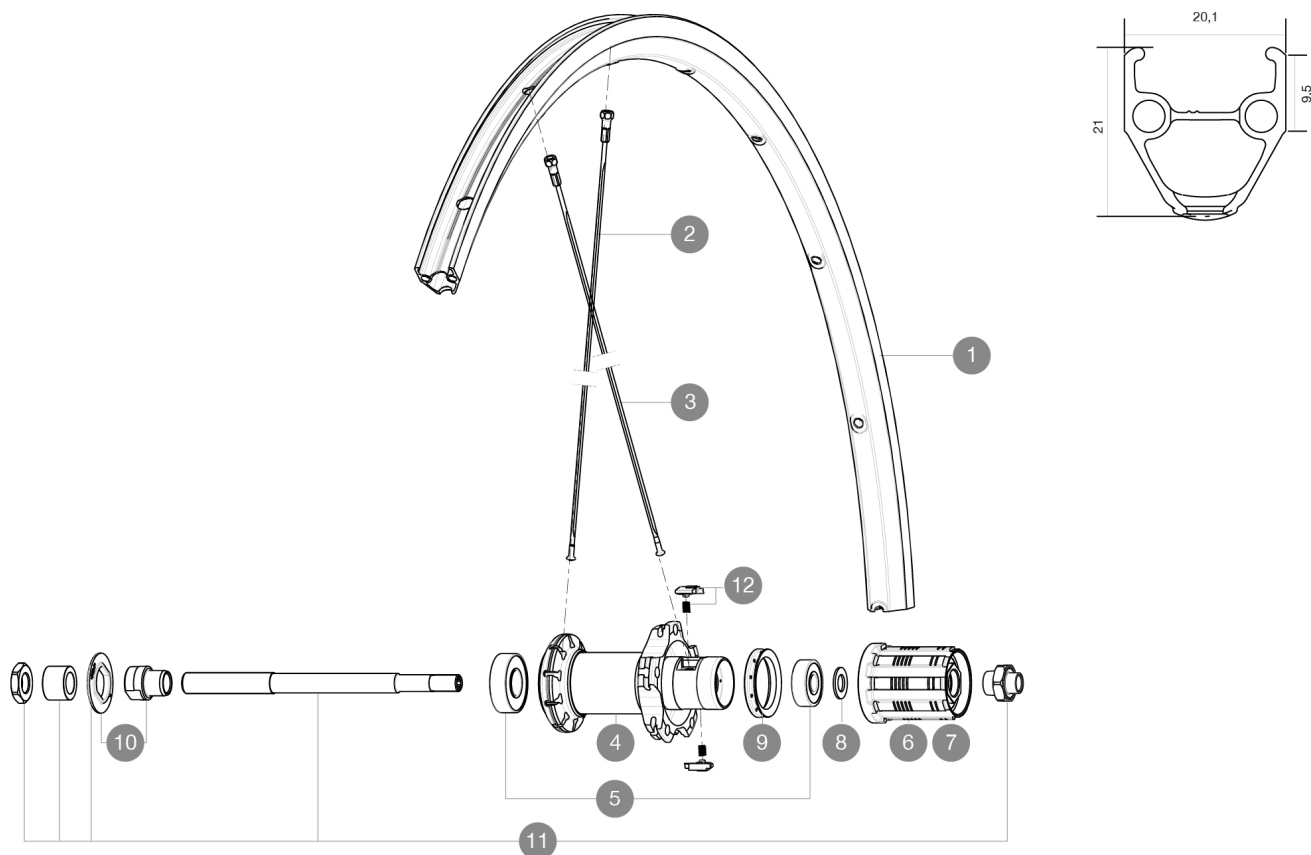


ASTM CATEGORY 1 : road only
Recommended weight limit : 120kg
Recommended tire sizes: 25 to 32 mm
Max. Pressure: 23mm 8.7 bars - 125 psi, 25/28mm 7.7 bars - 110 psi

REFERENCES WHEELS

| | | | |
|--------|----------------------|--------|--------------|
| R78701 | Aksium RS SMU Rr M11 | R99521 | Aksium RS Rr |
|--------|----------------------|--------|--------------|



RIMS



VALVE HOLE \varnothing (MM): 6,5 :

| | | |
|---|----------|---------------------------|
| 1 | V2403015 | KIT FRONT/REAR RIM AKSIUM |
|---|----------|---------------------------|



SPOKES

| | | |
|---|----------|---|
| 2 | V2272701 | KIT 10 FT/NDS AKSIUM RND SPK 283mm (OEM only) |
| 3 | 10845001 | KIT 10 DS AKSIUM STEEL AERO SPOKES 299mm |

HUB SHELLS

| | | |
|----|----------|---|
| 5 | M40660 | REAR HUB 608+6001 BEARINGS |
| 6 | 30871101 | FTS-L ROAD FREEWHEEL BODY HG11 8/9 compatible |
| 7 | 30871201 | FTS-L ROAD FREEWHEEL BODY ED11 8/9 compatible |
| 8 | M40067 | INTERNAL FREEWHEEL SPACER FTSL/FTSX |
| 9 | 99500001 | FTSL/FTSX FREEHUB BODY SEAL |
| 10 | 99603801 | SHORT EXPENSIBLE BEARING SUPPORTS > 2008 |
| 11 | 99603901 | REAR AXLE QRM ROAD 2008 |
| 12 | M40578 | FTSL PAWLS KIT (ROAD WHEELS) |

DELIVERED WITH

| | |
|---|---|
| BR101 quick releases (M40350 firt, M40351 rear road, M40352 rear MTB) 1 |  |
| BR101 quick releases (M40350 firt, M40351 rear road, M40352 rear MTB) 1 |  |
| Rim tape | |
| Rim tape | |
| User guide | |
| User guide | |

COMPATIBILITY

| | |
|--|--|
| Freewheel: Shimano/Sram, convertible to Campagnolo with optional driver body | |
| Freewheel: Shimano/Sram, convertible to Campagnolo with optional driver body | |
| Front axle: Quick Release only | |
| Front axle: Quick Release only | |
| Rear axle: Quick Release only | |
| Rear axle: Quick Release only | |

Specifications

RIMS

- **Material** : S6000 Aluminum
- **Material** : S6000 Aluminum
- **Height** : 21 mm
- **Height** : 21 mm
- **Joint** : pinned
- **Joint** : pinned
- **Drilling** : traditional with H2 reinforcement
- **Drilling** : traditional with H2 reinforcement
- **Brake track** : UB Control
- **Brake track** : UB Control
- **Valve hole diameter** : 6.5 mm
- **Valve hole diameter** : 6.5 mm
- **Tire** : clincher
- **Tire** : clincher
- **Internal width** : 15mm
- **Internal width** : 15mm
- **ETRTO size** : 622x15C
- **ETRTO size** : 622x15C

SPOKES

- **Material** : steel
- **Material** : steel
- **Shape** : straight pull, round
- **Shape** : straight pull, round
- **Nipples** : brass, ABS
- **Nipples** : steel, ABS
- **Count** : 20 front and rear
- **Count** : 20 front and rear
- **Lacing** : radial front and rear non-drive side, crossed 2 rear drive side
- **Lacing** : radial front and rear non-drive side, crossed 2 rear drive side

WHEEL HUB

- **Front and rear bodies** : aluminum
- **Front and rear bodies** : aluminum
- **Axle material** : steel
- **Axle material** : steel
- Sealed cartridge bearings
- Sealed cartridge bearings
- **Freewheel** : FTS-L steel
- **Freewheel** : FTS-L steel

VERSIONS

- **Color** : Black only
- **Color** : Black only

WHEEL WEIGHTS

Wheel weight 1015