

MAVIC Cosmic Pro Carbon SL UST Disc

ASTM CATEGORY 1 : road only

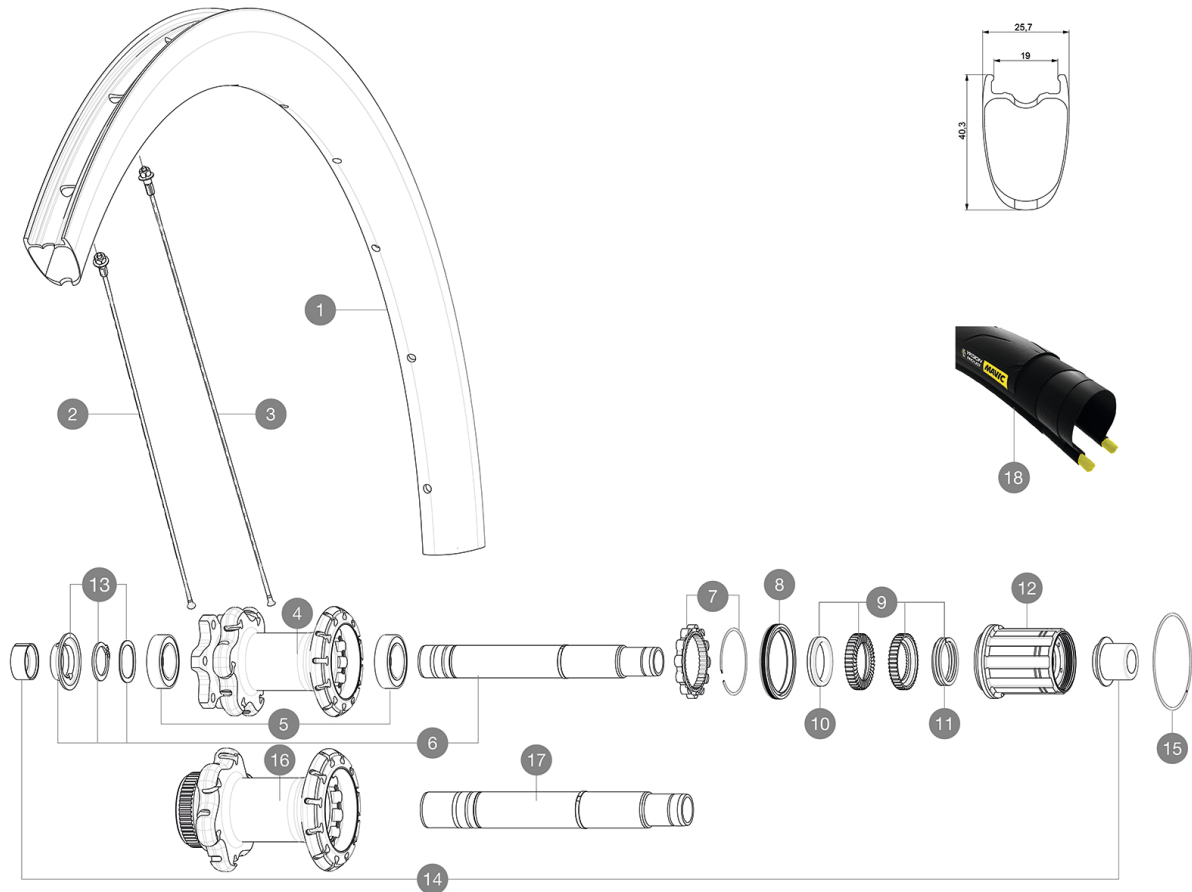
For a longer longevity of the wheel, Mavic recommends that the total weight supported by the wheels don't exceed 120kg, bike included

Recommended tyre sizes: 25 to 32 mm

Max. Pressure tubeless: 25mm 6 bars - 87 PSI, 28mm 5 bars - 70 PSI. Max pressure tubetype: 25mm 7 bars - 102 PSI

REFERENCES WHEELS

R17531 CosProCarbSLUSTD6B12x142Rr R17541 CosProCarbSLUSTDCL12x142Rr



RIMS



&NBSP;:

1	V2733313 V2620101	KIT REAR RIM COSMIC PRO CARBON SL UST DISC UST RIM TAPE 25mm (for 21-24mm wide rim)
----------	----------------------	--

SPOKES

2	V3662801	KIT 12 DS COSMIC PRO CARB SL T/UST/UST Disc/C/C Disc BUTTED
2	V2271101	KIT 12 DS COS PRO CARB SL/SL UST 1 UST D BTD AERO SPK 260mm/
3	V3663001	KIT 12 FRT/NDS COSMIC PRO CARB SL UST/UST Disc C/C Disc/T Di
3	V2271201	KIT 12 NDS COS PRO CARB SL/FT SL D/FT & NDS UST & UST D SPK
3	V3660601	KIT 1 FT/RR NDS 278/1 FT 271 CPC SL C/C DISC SPK

HUB SHELLS

4	N/A	HUB BODY
5	V2560401	KIT 2 BEARINGS 17x28x7 + WAVED WASHER + CLIP
6	V2253001	KIT ID360 6 BOLTS 135/142mm AXLE WITH CIRCLIP
7	V2252701	KIT ID360 INSERT SHAPED EAR LOBE > 2017
8	V2251601	KIT ID360 SEAL + GREASE
9	V2251701	KIT ID360 2 RATCHETS + SPRING + GREASE
10	V2500501	KIT ID360 3 PADS NOISE REDUCING
11	V2251801	KIT 3 ID360 ROAD SPRINGS
12	V3430101	HG11 Freewheel Body ID360
13	V2560501	KIT ADJUST. SYSTEM QRM AUTO ID360 for 17x28x7 bearing

15	V2252201	KIT 2 REAR HUB RETENTION RINGS 48mm
16	N/A	HUB BODY
17	V2252901	KIT ID360 CENTER LOCK 135/142mm AXLE W/CLIP

TYRES

18	39938825	Yksion Pro UST 700x25
-----------	----------	-----------------------

ADAPTERS

14	V2510701	ID360V2RrAxleAdapt12x142/148
	V2510901	ID360 EVO RrAxleAdpt12x135/150
	V2510801	ID360 V2 RrAxleAdapt9x135

MAVIC Cosmic Pro Carbon SL UST Disc

DELIVERED WITH

Mavic tyre sealant (rear wheel) (355 466 01)	
Tyre sealant syringe	
UST valve and accessories (129 838 01)	
Specific disc bolts (308 719 01)	
Tubeless rim tape	
Multifonction adjustment wrench (325 423 01)	
User guide	

COMPATIBILITY

Freewheel: Shimano/Sram, convertible to Campagnolo and XD-R with optional driver bodies	
Front axle: 12mm thru axle. Optional: Easily convertible to quick release with adequate adapters, convertible to 15mm with complete axle replacement	
Rear axle: 12mm thru axle, convertible to Quick Release with optional adapters (not available in Germany)	

Specifications

RIMS

- **Material** : 3K carbon fibers
 - **Height** : 40 mm
 - **Drilling** : traditional
- Disc brake specific profile
- **Valve hole diameter** : 6.5 mm
 - **Tyre** : UST Tubeless and tubetype
 - **Internal width** : 19 mm
 - **ETRTO size** : 622x19TC Road

SPOKES

- **Material** : steel
- **Shape** : straight pull, aero, double butted
- **Nipples** : aluminum, ABS
- **Count** : 24 front and rear
- **Lacing** : front crossed 2, rear Isopulse

WHEEL HUB

- **Front and rear bodies** : aluminum
- **Axle material** : aluminum
- **Front bearings** : adjustable sealed cartridge bearings (QRM+), Rear bearings auto adjust sealed cartridge bearings (QRM Auto)
- **Freewheel** : Instant Drive 360

VERSIONS

- **Color** : Black only
- **Disc standard** : 6 Bolts or Center Lock(R)

WHEEL WEIGHTS

820