

MAVIC *E-XA Elite*

ASTM CATEGORY 3 : CROSS COUNTRY AND TRAIL RIDING

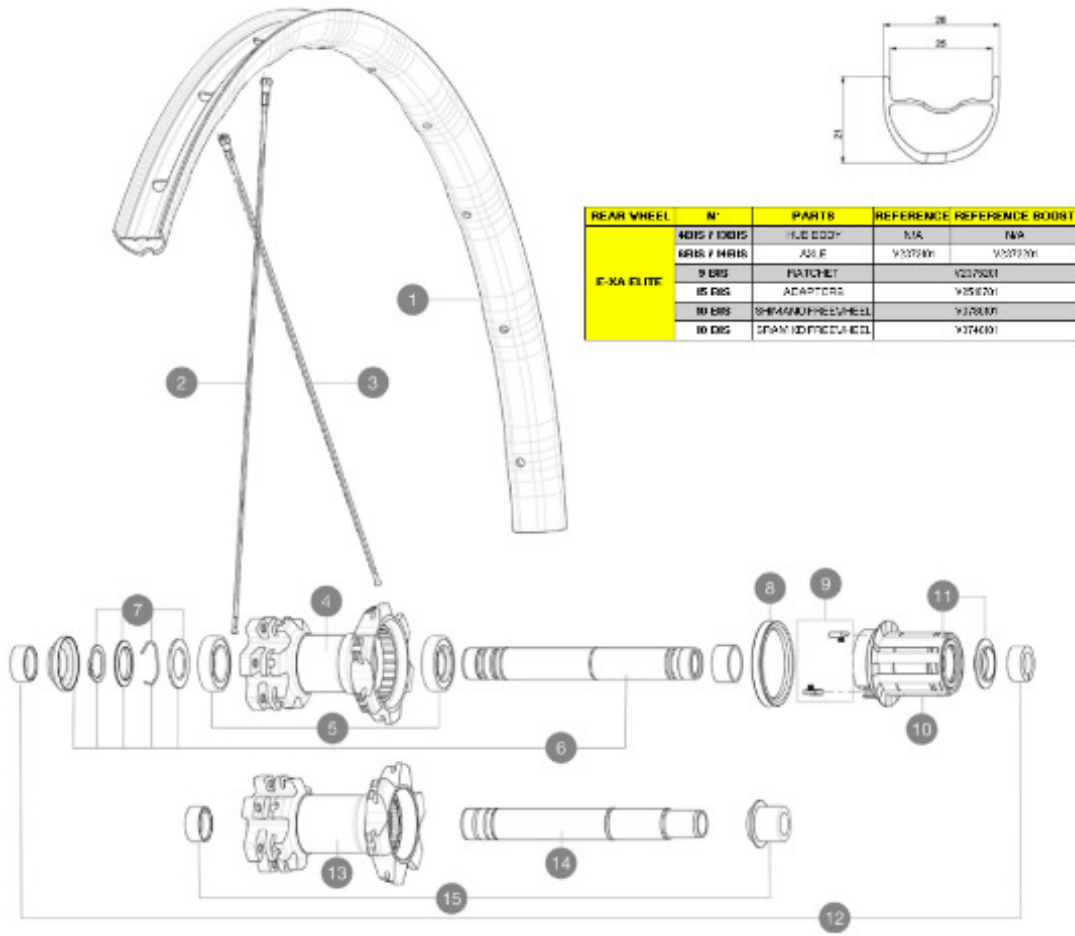
For a longer longevity of the wheel, Mavic recommends that the total weight supported by the wheels don't exceed 120kg, bike included

Recommended tyre sizes: 46mm to 64mm (1.8" to 2.5")

REFERENCES WHEELS

R22571 E-Xa Elite 27,5 Rr Bst XD

R22231 E-Xa Elite 27,5 Bst Rr



REAR WHEEL	N°	PARTS	REFERENCE	REFERENCE
40RS 7 00RS		HUB BODY	N/A	N/A
6RS 7 00RS		AXLE	V37201	V37201
9 RS		RATCHET	V237521	V237521
15 RS		ADAPTERS	V251071	V251071
10 RS		SPAMM/FREEWHEEL	V37801	V37801
10 RS		SPAMM/FREEWHEEL	V37401	V37401

RIMS

&NBSP;:

1	V2980115 V2700101	KIT FT/RR RIM XA ELITE 27,5" 25mm BLACK TSS UST Tape 28mm for 25 to 27mm wide rims
---	----------------------	---

SPOKES

2	V2382401	KIT 12 FT/NDS XRIIDE + FTSX/NDS XMAX EL/XA EL 27,5" SPK 279m
3	V2385701	KIT 12 REAR DRIVE SIDE SPOKES MTB L1 27,5"

HUB SHELLS

4	N/A	HUB BODY
	N/A	HUB BODY
5	M40076	HUB BEARINGS 17x30x7 6903 x 2
6	V2371701	KIT AXLE 135/142mm ITS4 QRM AUTO
	V2372101	KIT ID360 135/142 D6T AXLE WITH CLIP
7	V2370401	KIT REAR AUTO ADJUSTING PLAY 12mm AXLE
8	99610701	ITS-4 FREEWHEEL SEAL
9	99610601	PAWLS KIT FOR ITS-4 (OR TS-2)
	V2375201	KIT ID360 24 TEETH 2 RATCHET + MTB SPRING + PAD (specific)
10	V3610101	HG MTB FREEWHEEL BODY ITS4 QRM AUTO
	V3780101	HG9 Alloy MTB Freewheel Body ID360
	V3740101	XD MTB Freewheel Body ID360
13	N/A	HUB BODY
	N/A	HUB BODY
14	V2371601	KIT AXLE 148mm ITS4 QRM AUTO

V2372201 KIT ID360 148 D6T AXLE WITH CLIP

ADAPTERS

12	32965001	ADAPTER Rr 12x142mm Elite/CRide MTB (Rd)
15	V2510701	ID360V2RrAxleAdapt12x142/148
	V2510801	ID360 V2 RrAxleAdapt9x135

MAVIC *E-XA Elite***DELIVERED WITH**

UST valve and accessories (129 838 01)	
Tubeless rim tape	
User guide	

COMPATIBILITY

Freewheel: Shimano/Sram or XD	
-------------------------------	--

Specifications**RIMS**

- **Material** : S6000 Aluminum
- **Joint** : SUP
- **Drilling** : traditional
- **Weight reduction** : ISM 4D
- **Valve hole diameter** : 6.5 mm
- **Tyre** : UST Tubeless and tubetype
- **Internal width** : 25 mm
- **ETRTO size 27.5"** : 584x25TSS
- **ETRTO size 29"** : 622x25TSS

Hookless profile

Use with Mavic Tubeless Tape

SPOKES

- **Material** : steel
- **Shape** : straight pull, bladed
- **Count** : 24 front and rear
- **Lacing** : front and rear crossed 2

WHEEL HUB

- **Front and rear bodies** : aluminum
 - **Axle material** : aluminum
- Auto adjust sealed cartridge bearings (QRM Auto)
- **Freewheel** : ITS-4 QRM Auto alloy

VERSIONS

- **Color** : Black only
- **Disc standard** : 6 Bolts only
- **Hub width** : Boost only (front 110, rear 148)

WHEEL WEIGHTS

Weight Rear 27.5": 945

Weight Rear 29": 985