

**MAVIC** **E-Crossmax**

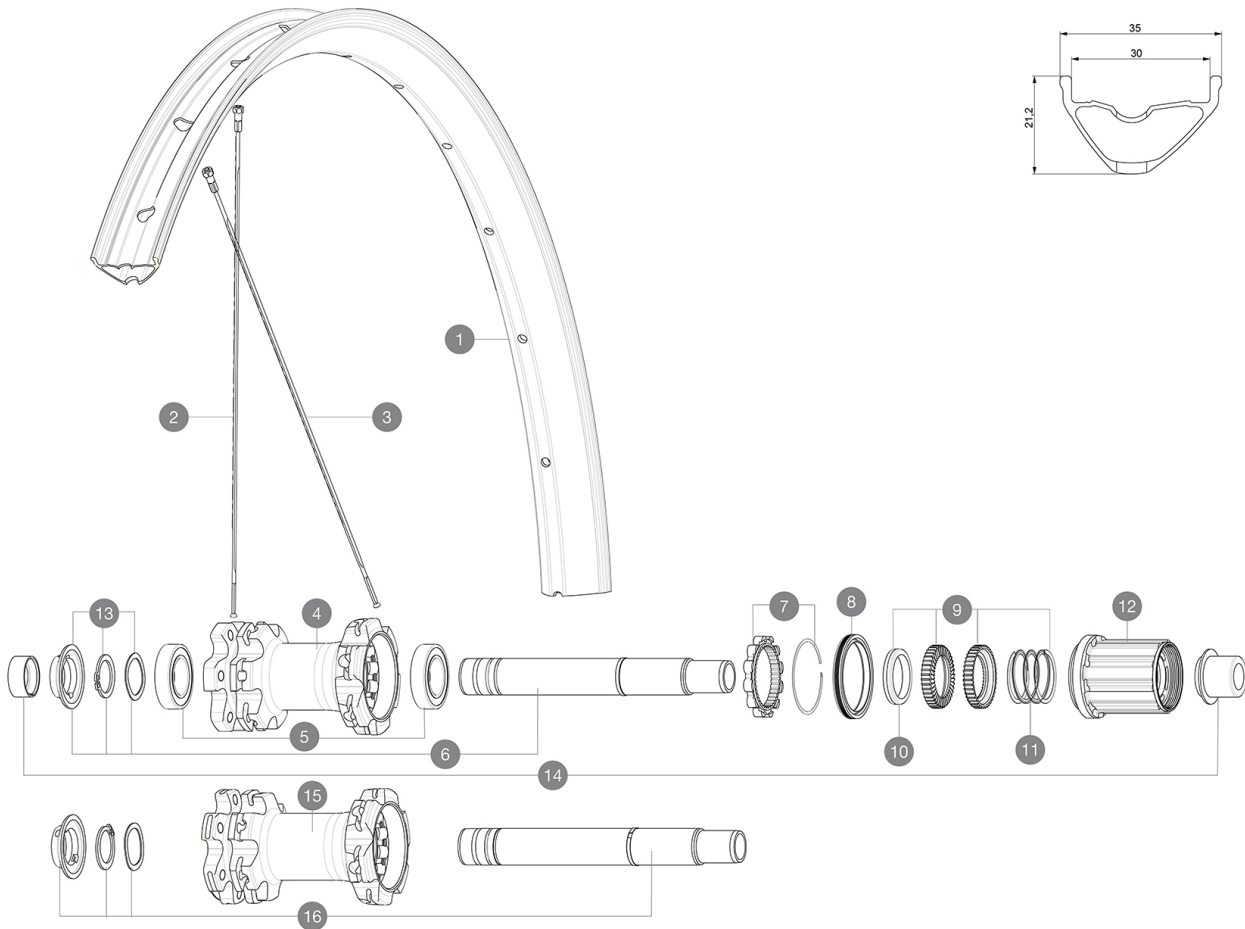
ASTM CATEGORY 3 : CROSS COUNTRY AND TRAIL RIDING

For a longer longevity of the wheel, Mavic recommends that the total weight supported by the wheels don't exceed 150kg, bike included

Recommended tyre sizes: 60mm to 76mm (2.35" to 3.0")

**REFERENCES WHEELS**

R25511	E-Xmax 27,5 Rr XD	R25491	E-Xmax 27,5 Rr
R25531	E-Crossmax 27,5 Rr Boost XD	R25521	E-Crossmax 27,5 Rr Boost

**RIMS**

&amp;NBSP;:

<b>1</b>	V3763115	KIT FRT/REAR RIM E-CROSSMAX 27,5"
	V3750101	35mm UST Green Tape for 30mm wide rims

**SPOKES**

<b>2</b>	V3821301	KIT 14 FRT/ND S E-CROSSMAX/E-XA 27,5" FLAT SPOKE 282mm + nip
<b>3</b>	V3821501	KIT 14 DS E-CROSSMAX/E-XA 27,5" FLAT SPOKE 280mm + nippl.



**HUB SHELLS**

<b>4</b>	N/A	HUB BODY
<b>5</b>	M40076	HUB BEARINGS 17x30x7 6903 x 2
<b>6</b>	V2372101	KIT ID360 135/142 D6T AXLE WITH CLIP
<b>7</b>	V2252701	KIT ID360 INSERT SHAPED EAR LOBE > 2017
<b>8</b>	V2251601	KIT ID360 SEAL + GREASE
<b>9</b>	V2375201	KIT ID360 24 TEETH 2 RATCHET + MTB SPRING + PAD (specific)
<b>10</b>	V2375401	KIT ID360 MTB 24T 3 NOISE REDUCING PADS
<b>11</b>	V2372901	KIT 3 ID360 MTB SPRINGS
<b>12</b>	V3790101	HG9 Steel MTB Freewheel Body ID360
<b>13</b>	V2373001	KIT ADJUST. SYSTEM QRM AUTO ID360 for 17x30x7 bearing
<b>15</b>	N/A	HUB BODY
<b>16</b>	V2372201	KIT ID360 148 D6T AXLE WITH CLIP

**ADAPTERS**

<b>14</b>	V2510701	ID360V2RrAxleAdapt12x142/148
	V2510801	ID360 V2 RrAxleAdapt9x135

## DELIVERED WITH

Front QR adapters (non-boost wheel)	
Rear QR adapters (non-boost wheel)	
UST valve and accessories (129 838 01)	
UST valve and accessories (129 838 01)	
Specific disc bolts (308 719 01)	
Specific disc bolts (308 719 01)	
Tubeless rim tape	
Tubeless rim tape	
User guide	
User guide	

## COMPATIBILITY

Freewheel: Shimano/Sram or XD	
Freewheel: Shimano/Sram or XD	
Freewheel: Shimano Micro Spline	
Freewheel: Shimano Micro Spline	

## Specifications

### RIMS

- **Material** : S6000 Aluminum
- **Material** : S6000 Aluminum
- **Joint** : sleeved
- **Joint** : sleeved
- **Drilling** : traditional
- **Drilling** : traditional

E-Bike specific rim profile

E-Bike specific rim profile

- **Valve hole diameter** : 6.5 mm
- **Valve hole diameter** : 6.5 mm
- **Tyre** : UST Tubeless and tubetype
- **Tyre** : UST Tubeless and tubetype
- **Internal width** : 30 mm
- **Internal width** : 30 mm

Hookless profile

Hookless profile

Use with Mavic Tubeless Tape

Use with Mavic Tubeless Tape

- **ETRTO size 27.5"** : 584x30TSS
- **ETRTO size 27.5"** : 584x30TSS
- **ETRTO size 29"** : 622x30TSS
- **ETRTO size 29"** : 622x30TSS

### SPOKES

- **Material** : steel
- **Material** : steel
- **Shape** : straight pull, round
- **Shape** : straight pull, round
- **Count** : 28 front and rear
- **Count** : 28 front and rear
- **Lacing** : front and rear crossed 3
- **Lacing** : front and rear crossed 3

### WHEEL HUB

- **Front and rear bodies** : aluminum
  - **Front and rear bodies** : aluminum
  - **Axle material** : aluminum
  - **Axle material** : aluminum
- Auto adjust sealed cartridge bearings (QRM Auto), front and rear
- Auto adjust sealed cartridge bearings (QRM Auto), front and rear
- **Freewheel** : Instant Drive 360 steel
  - **Freewheel** : Instant Drive 360 steel

### VERSIONS

- **Color** : Black only
- **Disc standard** : 6 Bolts only
- **Disc standard** : 6 Bolts only
- **Hub width** : Boost only (front 110, rear 148)
- **Hub width** : Boost only (front 110, rear 148)
- **Freewheel** : Shimano/Sram or XD
- **Freewheel** : Shimano/Sram or XD

### WHEEL WEIGHTS

Weight Rear 27.5": 1123

Weight Rear 29": 1160