

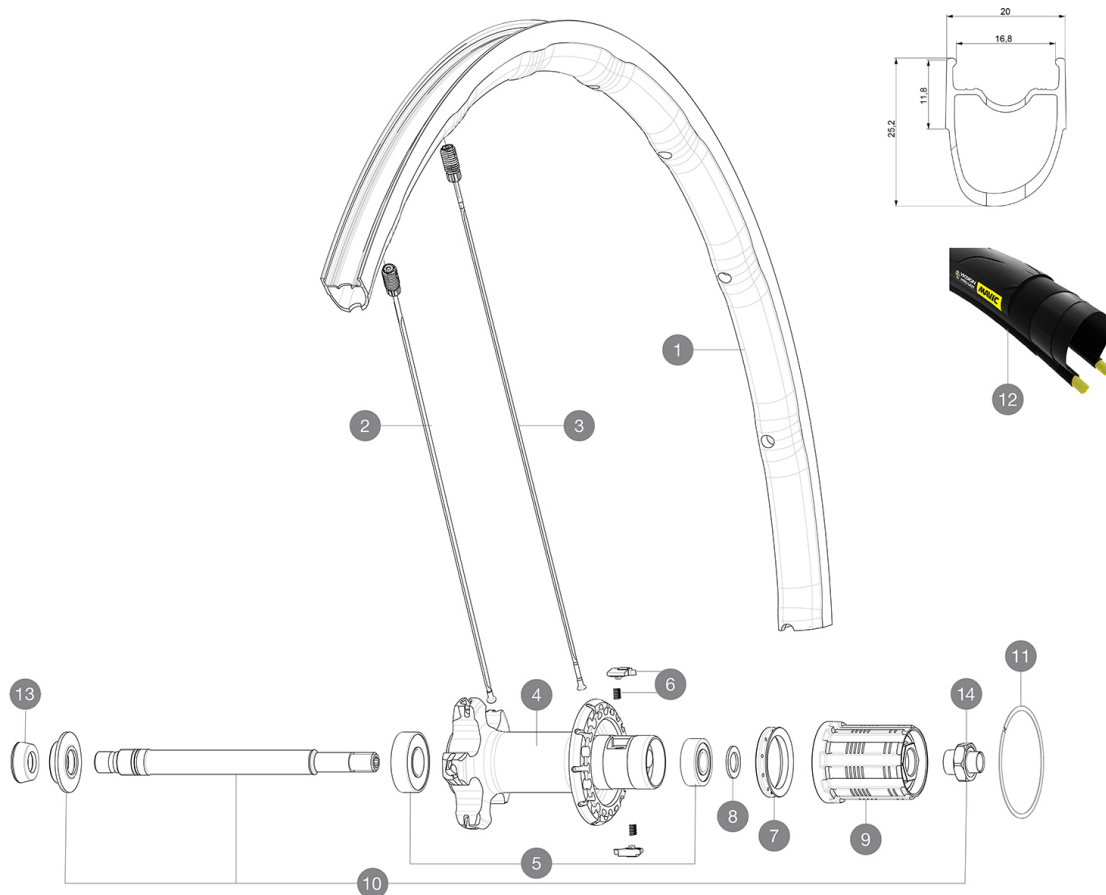
MAVIC Ksyrium Elite UST

1
2020
REAR

ASTM CATEGORY 2 : road and offroad with jumps less than 15cm
For a longer longevity of the wheel, Mavic recommends that the total weight supported by the wheels don't exceed 120kg, bike included
Recommended tyre sizes: 25 to 32 mm
Max. Pressure: see indication on wheel and tyre. If they differ, use the lower of the 2

REFERENCES WHEELS

R33641 Ksyrium Elite UST 20 Rr



RIMS



&NBSP;:

1 V2739513 KIT REAR RIM KSYRIUM ELITE UST 20

SPOKES

2 V2278001 KIT 10 NDS KSYRIUM ELITE UST BTD SPK 301mm
3 V2277901 KIT 10 DS KSYRIUM ELITE UST SPOKE 275mm

HUB SHELLS

4 N/A HUB BODY
5 V2540101 REAR HUB B9+6001 BEARINGS 2015
6 M40578 FTSL PAWLS KIT (ROAD WHEELS)
7 99500001 FTSL/FTSX FREEHUB BODY SEAL
8 30872801 SET OF 3 INTERNAL SILVER SPACERS 9mm FTSL
9 30871101 FTSL-L ROAD FREEWHEEL BODY HG11 8/9 compatible
10 V2250501 KIT REAR AXLE KSYRIUM SLE/SLS/ELITE/PRO EXALITH/ALLROAD ELIT
11 V2252201 KIT 2 REAR HUB RETENTION RINGS 48mm
14 V2373101 KIT NUT FOR ROAD ALLOY THROUGH AXLE 9mm

TYRES


12 39938825 Yksion Pro UST 700x25

ADAPTERS

13 35117301 FT/RR FORK REST R-SYS/CC ULTIMATE > 2013/KSY PRO CARB T

MAVIC Ksyrium Elite UST

DELIVERED WITH

Mavic tyre sealant (rear wheel) (355 466 01)	
BR301 quick releases (V24 501 01 frt, V24 502 01 rear)	
Tyre sealant syringe	
UST valve and accessories (129 838 01)	
Multifonction adjustment wrench (325 423 01)	
User guide	

COMPATIBILITY

Freewheel: Shimano/Sram, convertible to Campagnolo with optional driver body	
Front axle: Quick Release only	
Rear axle: Quick Release only	

Specifications

RIMS

- **Material** : Mactal
- **Height** : front 22 mm, rear 25 mm asymmetrical
- **Joint** : SUP
- **Drilling** : Fore
- **Brake track** : UB Control
- **Weight reduction** : ISM 4D
- **Valve hole diameter** : 6.5 mm
- **Tyre** : UST Tubeless and tubetype
- **Internal width** : 17 mm
- **ETRTO size** : 622x17TC ROAD

SPOKES

- **Material** : steel
- **Shape** : straight pull, flat, double butted
- **Nipples** : Fore integrated aluminum
- **Count** : front 18, rear 20
- **Lacing** : front radial, rear Isopulse

WHEEL HUB

- **Front and rear bodies** : aluminum
- **Axle material** : aluminum
- Adjustable sealed cartridge bearings (QRM+)
- **Freewheel** : FTS-L steel

VERSIONS

- **Color** : Black only

WHEEL WEIGHTS

855