

MAVIC ALLROAD S DISC

2021
REAR

ASTM CATEGORY 2 : road and offroad with jumps less than 15cm

For a longer longevity of the wheel, Mavic recommends that the total weight supported by the wheels doesn't exceed 120kg, bike included

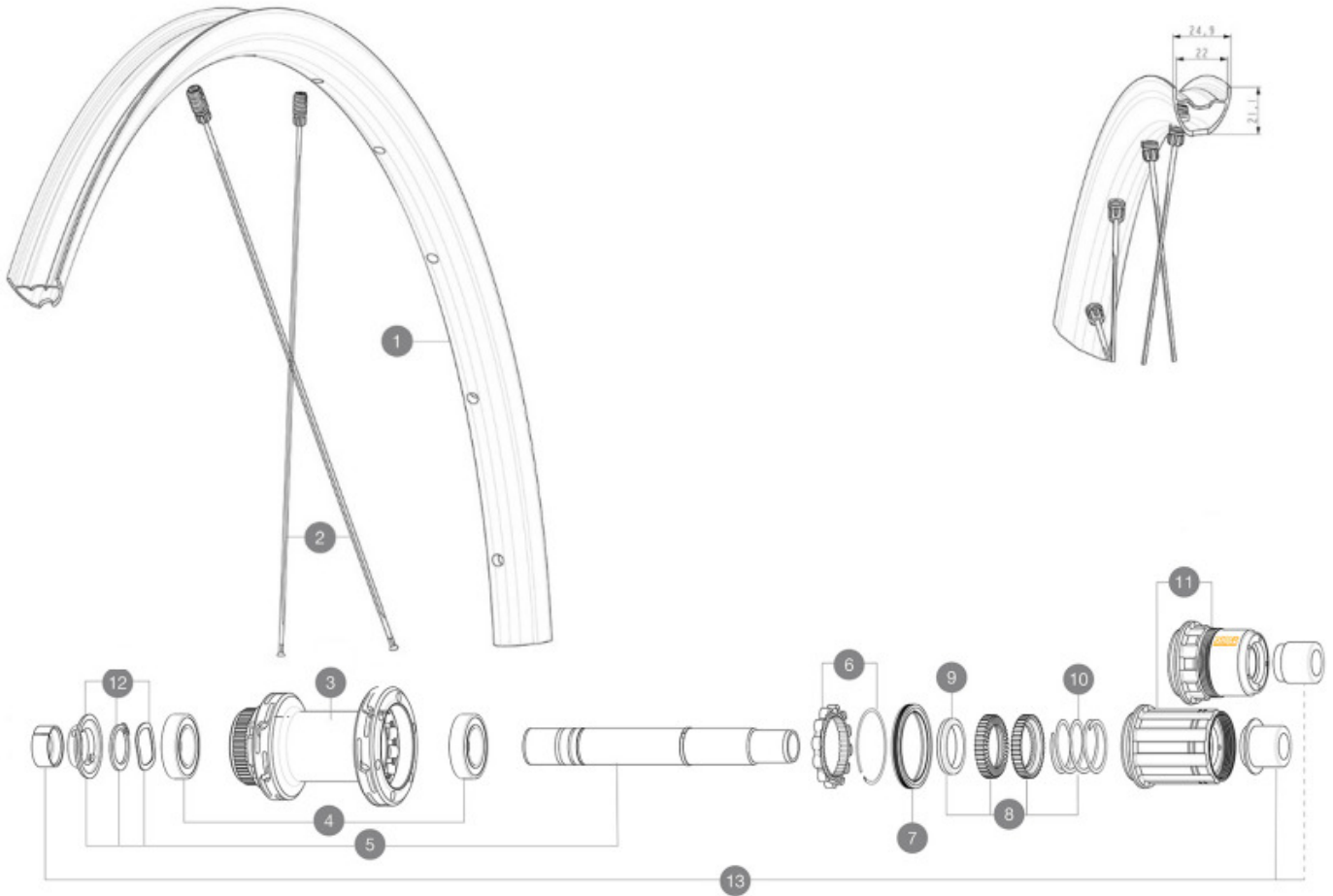
Maximum tyre pressure: 4.6bar/67PSI with a 28mm tyre - 32.7bar/39PSI with a 64mm tyre

Recommended tyre sizes: 28 to 64 mm (1.1" to 2.5")

Max. Pressure: see indication on wheel and tyre. If they differ, use the lowest of the 2

REFERENCES WHEELS

R36751 ALLROAD S CL 700 12X142 M11 R38891 ALLROAD S CL 700 12X142 XDR



RIMS



&NBSP;:

| | | |
|---|-----------|--|
| 1 | V4092115 | Kit Front/Rear rim Allroad S while stock lasts |
| 1 | V00097531 | Kit Front/Rear rim Allroad S 23 |

SPOKES

| | | |
|---|----------|---|
| 2 | V4162601 | Kit 12 Front/Rear Allroad S flat spoke 298 M7/7 |
|---|----------|---|

HUB SHELLS

| | | |
|----|-----------|---|
| 3 | N/A | HUB BODY |
| 3 | N/A | HUB BODY |
| 4 | M40076 | HUB BEARINGS 17x30x7 6903 x 2 |
| 5 | V2373401 | KIT ID360 135/142 DCL L1 AXLE WITH CLIP |
| 6 | V2252701 | KIT ID360 INSERT SHAPED EAR LOBE > 2017 |
| 7 | V00063631 | Kit ID360 seal version 2 (larger) |
| 8 | V2251701 | KIT ID360 2 RATCHETS + SPRING + GREASE |
| 9 | V2500501 | KIT ID360 3 PADS NOISE REDUCING |
| 10 | V2251801 | KIT 3 ID360 ROAD SPRINGS |
| 11 | V2580101 | FREEHUB BODY XD Road ID360 |
| 11 | V3430101 | HG11 Freewheel Body ID360 |
| 12 | V2373001 | KIT ADJUST. SYSTEM QRM AUTO ID360 for 17x30x7 bearing |

OPTIONS

| | |
|----------|--------------------------------|
| V2510801 | ID360 V2 RrAxleAdapt9x135 |
| V2510901 | ID360 EVO RrAxleAdpt12x135/150 |

ADAPTERS

| | | |
|----|----------|------------------------------------|
| 13 | V3811001 | KIT ROAD ID360 RR CL ENDCAP (12MM) |
|----|----------|------------------------------------|

MAVIC ALLROAD S DISC

DELIVERED WITH

| | |
|---|--|
| UST valve and accessories (129 838 01) | |
| UST valve and accessories (129 838 01) | |
| User guide | |
| User guide | |

COMPATIBILITY

| | |
|--|--|
| Freewheel: Shimano/Sram, convertible to Campagnolo and XD-R with optional driver bodies | |
| Freewheel: Shimano/Sram, convertible to Campagnolo and XD-R with optional driver bodies | |
| Front axle: 12mm thru axle, easily convertible to quick release with optional adapters. Convertible to 15mm with complete axle replacement | |
| Front axle: 12mm thru axle, easily convertible to quick release with optional adapters. Convertible to 15mm with complete axle replacement | |
| Rear axle: 12mm thru axle, convertible to Quick Release with optional adapters | |
| Rear axle: 12mm thru axle, convertible to Quick Release with optional adapters | |

Specifications

RIMS

- **Material** : Mactal
 - **Material** : Mactal
 - **Height** : 22 mm
 - **Height** : 22 mm
- SUP
Disc brake specific profile
Disc brake specific profile
- **Tire** : UST Tubeless and tubetype
 - **Tire** : UST Tubeless and tubetype
 - **Internal width** : 22 mm
 - **Internal width** : 22 mm
 - **ETRTO size** : 622x22TSS ROAD
 - **ETRTO size** : 622x22TSS ROAD
- Hookless profile
Hookless profile
Fore
Fore
UST
UST
SUP

SPOKES

- **Material** : steel
- **Material** : steel
- **Shape** : straight pull, flat, double butted
- **Shape** : straight pull, flat, double butted
- **Nipples** : Fore integrated aluminum
- **Nipples** : Fore integrated aluminum
- **Count** : 24 front and rear
- **Count** : 24 front and rear
- **Lacing** : front and rear crossed 2, contactless
- **Lacing** : front and rear crossed 2, contactless

WHEEL HUB

- Infinity Hub
- **Front and rear bodies** : aluminum
 - **Axle material** : aluminum
- Instant Drive 360
QRM Auto
- **Front** : Quick release, 12x100 and 15x100 through axle compatible
 - **Front and rear bodies** : aluminum
 - **Rear** : Quick Release, 12x142 and 12x135 compatible
 - **Axle material** : aluminum
- Hub available for Center Lock brake rotors only
- **Front** : Quick release, 12x100 and 15x100 through axle compatible
 - **Rear** : Quick Release, 12x142 and 12x135 compatible
- Infinity Hub
Instant Drive 360
QRM Auto

VERSIONS

- **Disc standard** : Center Lock (R) only
- **Disc standard** : Center Lock (R) only
- **Freewheel** : Shimano/Sram or XD-Road
- **Freewheel** : Shimano/Sram

WHEEL WEIGHTS

935