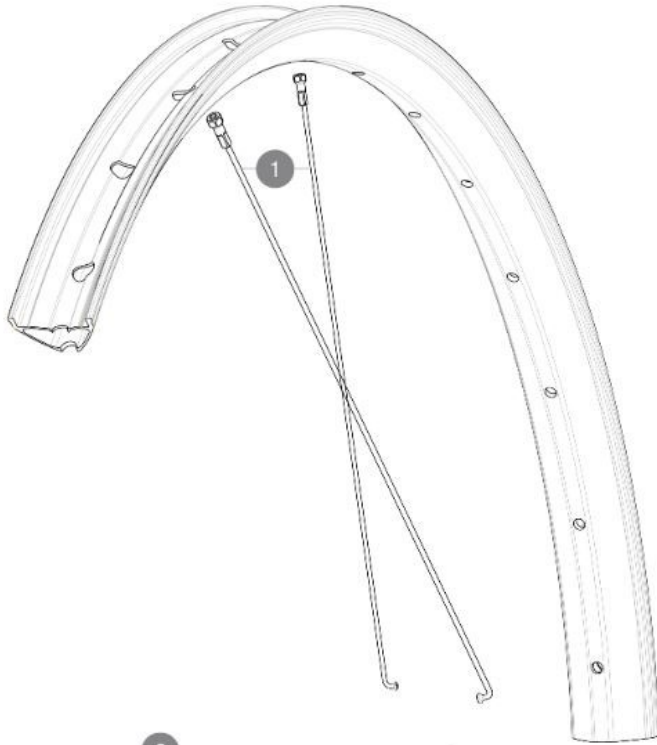


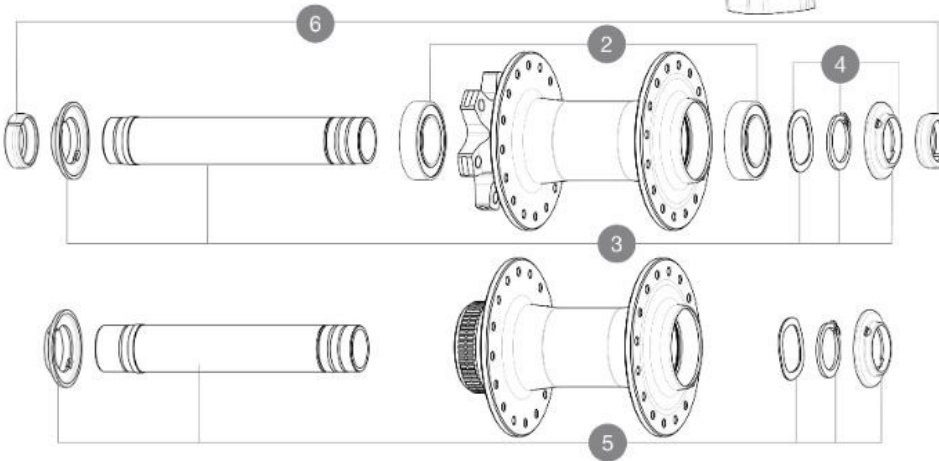
# MAVIC E-CROSSRIDE 1 29

参照ホイール

ASTM E1000 3 : 52mm- 2.35Bar/34PSI 125mm- 1.25Bar/18PSI



| Specifications  | Maxi target   |
|-----------------|---------------|
| Frontal run out | 0,5mm         |
| Lateral run out | 0,5mm         |
| Centrering      | 1,0mm (2x0,5) |
| Tension daN     |               |
| Disc side       | 106 > 137     |



### RIMS



&NBSP;:

|   |           |   |
|---|-----------|---|
| 0 | V00094831 | Kit Front/Rear rim eCrossride1 30mm 29" |
|---|-----------|---|

### SPOKES

|   |           |   |
|---|-----------|---|
| 1 | V00062431 | Kit 16 ft/rr Jbent bk rd spk 293 29"+np |
|---|-----------|---|

### HUB SHELLS

|   |          |   |
|---|----------|---|
| 2 | V2500901 | KIT BEARINGS 18x30x7 + WAVED WASHER + CLIP            |
| 3 | V2372401 | KIT 110mm AXLE QRM AUTO MTB > 2019                    |
| 4 | V2373001 | KIT ADJUST. SYSTEM QRM AUTO ID360 for 17x30x7 bearing |

|   |          |   |
|---|----------|---|
| 5 | V2375601 | Kit 110mm axle QRM auto MTB from 2019 DCL |
|---|----------|---|

### OPTIONS

|  |          |   |
|--|----------|---|
|  | V2374401 | TORQUE CAPS 15°31 Adapter MTB QRM Auto > 2019 Frt HUB |
|--|----------|---|

### ADAPTERS

|   |          |                                      |
|---|----------|--------------------------------------|
| 5 | V2372501 | 15mm MTB Axle Cap QRM Auto From 2019 |
|   | 99694101 | 2 REDUCERS 15/9mm                    |

