

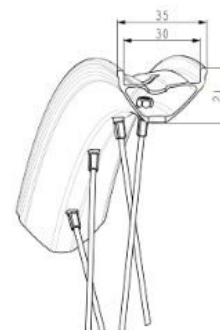
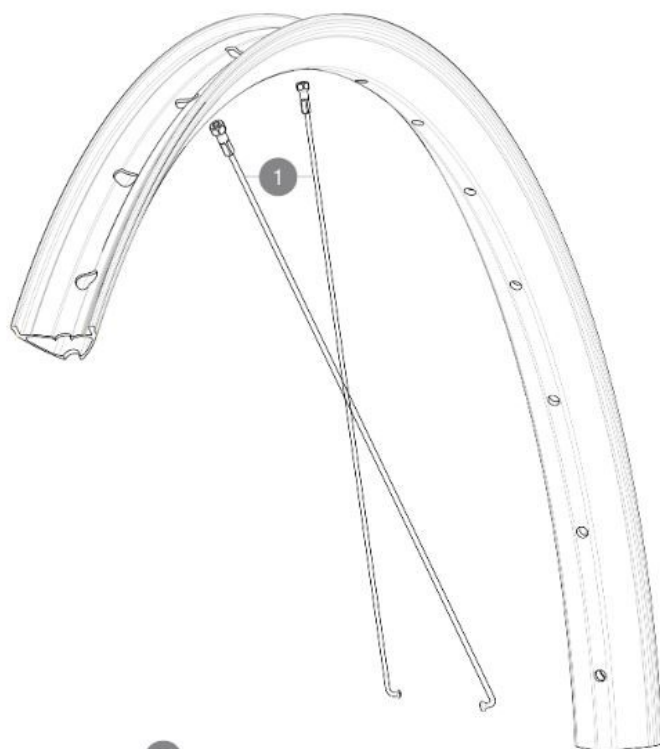
MAVIC **E-CROSSRIDE 1 29**

ASTM CATEGORY 3 : CROSS COUNTRY

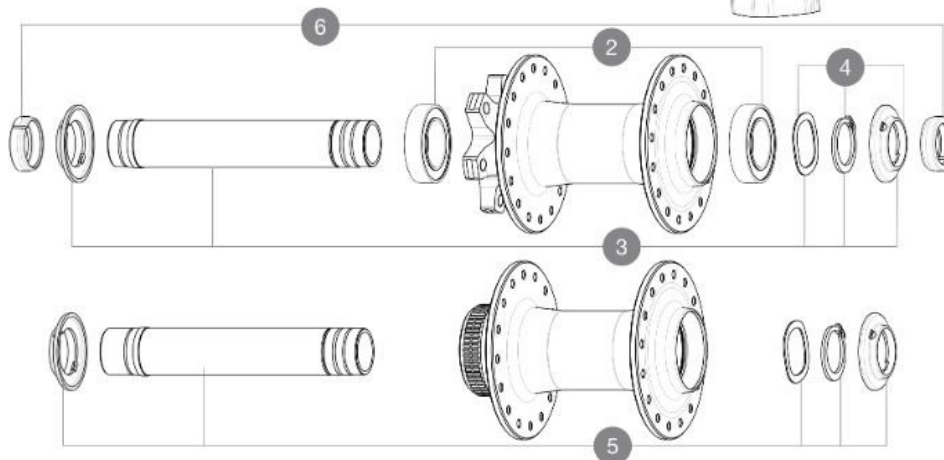
For a longer longevity of the wheel, Mavic recommends that the total weight supported by the wheels doesn't exceed 150kg, bike included

Minimum tyre size: width 52mm - pressure max. 2.35Bar/34PSI

Maximum tyre size: width 125mm - pressure max. 1.25Bar/18PSI

REFERENCES WHEELS

Specifications	Maxi target
Frontal run out	0,5mm
Lateral run out	0,5mm
Centring	1,0mm (2x0,5)
Tension daN	106 > 137
Disc side	

**RIMS**

&NBSP;:

0 V00094831 Kit Front/Rear rim eCrossride1 30mm 29"

SPOKES

1 V00062431 Kit 16 ft/rr Jbent bk rd spk 293 29"+np

HUB SHELLS

2 V2500901 KIT BEARINGS 18x30x7 + WAVED WASHER + CLIP
 3 V2372401 KIT 110mm AXLE QRM AUTO MTB > 2019
 4 V2373001 KIT ADJUST. SYSTEM QRM AUTO ID360 for 17x30x7 bearing
 5 V2375601 Kit 110mm axle QRM auto MTB from 2019 DCL

OPTIONS

V2374401 TORQUE CAPS 15*31 Adapter MTB QRM Auto > 2019 Frt HUB

ADAPTERS

5 V2372501 15mm MTB Axle Cap QRM Auto From 2019
 99694101 ADAPTER Ft 15 to 9mm QR

MAVIC E-CROSSRIDE 1 29

DELIVERED WITH

User guide	
Pre-installed tubeless rim tape	
User guide	
Pre-installed tubeless rim tape	

COMPATIBILITY

Freewheel body: convertible SHIMANO HG MTB steel (kit V3790101 sold separately)	
Freewheel body: convertible SHIMANO HG MTB steel (kit V3790101 sold separately)	
Rear axle: 12mm thru axle, convertible to Quick Release with adapters (delivered with non-boost wheel)	

Specifications

RIMS

- **Material** : S6000 Aluminum
- **Material** : S6000 Aluminum
- **Height** : 21 mm
- **Height** : 21 mm
- **Joint** : sleeved
- **Joint** : sleeved
- **Internal width** : 30 mm
- **Internal width** : 30 mm
- **Drilling** : traditional (front/rear 32 holes)
- **Drilling** : traditional (front/rear 32 holes)

Disc brake specific profile

Disc brake specific profile

E-Bike specific rim profile

E-Bike specific rim profile

- **ETRTO size 29"** : 622x30TSS

- **ETRTO size 29"** : 622x30TSS

- **Tire** : clincher

- **Tire** : clincher

SPOKES

- **Material** : steel

- **Material** : steel

- **Count** : 20 front and rear

- **Count** : 20 front and rear

- **Rear axle** : 12mm thru axle, convertible to Quick

Release with adapters (delivered with non-boost wheel)

12mm front hub cap (V2680501)

WHEEL HUB

- **Body** : aluminum

- **Body** : aluminum

- **Body design** : CLASSIC

- **Body design** : CLASSIC

- **Disc standard** : 6 Bolts or Center Lock[®]

- **Disc standard** : 6 Bolts or Center Lock[®]

- **Axle material** : aluminum

- **Axle material** : aluminum

- **Rear body** : aluminum

- **Rear body** : aluminum

- **Axles** : Front 15x110 (Boost) or 15x100 ; Rear

- 12x148 (Boost) or 12x142

- **Axles** : Front 15x110 (Boost) or 15x100 ; Rear

- 12x148 (Boost) or 12x142

- **Freewheel** : Shimano HG MTB / Shimano MS /

- Sram XD MTB / Single Speed

- **Freewheel** : Shimano HG MTB / Shimano MS /

- Sram XD MTB / Single Speed

- **Freewheel** : FTS-L steel

- **Freewheel** : FTS-L steel

WHEEL WEIGHTS