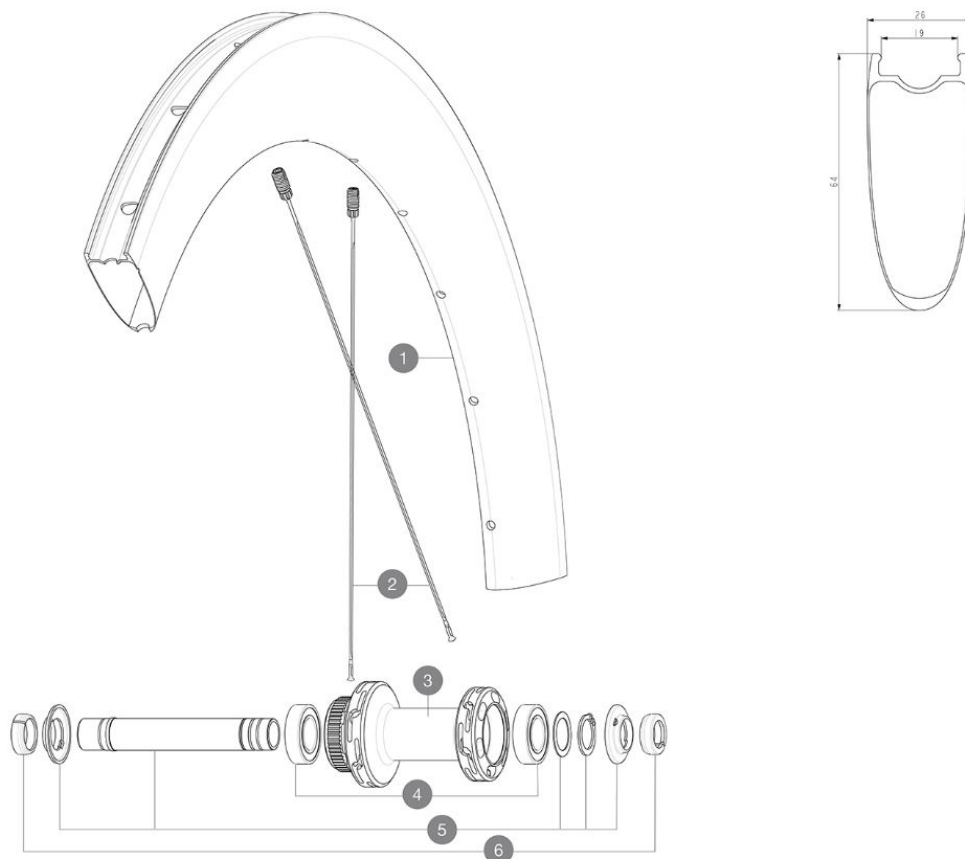


ASTM CATEGORY 2 : road and offroad with jumps less than 15cm
 For a longer longevity of the wheel, Mavic recommends that the total weight supported by the wheels doesn't exceed 120kg, bike included
 Recommended tire sizes: 25 to 32 mm
 Max. Pressure: see indication on wheel and tire. If they differ, use the lowest of the 2

REFERENCES WHEELS



RIMS



&NBSP;:

| | | |
|---|-----------|--|
| 1 | V00062731 | Kit Front/Rear rim Cosmic SL65 Ltd |
| | V2620101 | UST RIM TAPE 25mm (for 21-24mm wide rim) |

SPOKES

| | | |
|---|----------|--|
| 2 | V4163301 | Kit 12 Front/Rear Cosmic SL 65 Disc butted stainless spoke 2 |
|---|----------|--|

HUB SHELLS

| | | |
|---|----------|-------------------------------------|
| 3 | N/A | HUB BODY |
| 4 | M40129 | KIT 2 BEARINGS 6902 15x28x7 |
| 5 | V2373301 | KIT QRM AUTO FRONT AXLE 12mm > 2019 |

ADAPTERS

| | | |
|---|----------|---------------------------------|
| 6 | V2680501 | 12mm Road Axle Cap QRM Auto |
| | V2680301 | "Kit Ft Road Adapter 12 >> 9mm" |

DELIVERED WITH

| | |
|---|--|
| Front QR adapters | |
| Rear QR adapters for Instant Drive 360 (B49 894 01) | |
| UST valve and accessories (129 838 01) | |
| Pre-installed tubeless rim tape | |
| User guide | |

COMPATIBILITY

| | |
|---|--|
| Freewheel: Shimano/Sram, convertible to Campagnolo ED11, N3W and XD-R with optional driver bodies | |
| Front axle: 12x100 thru axle, easily convertible to quick release with included adapters. Not compatible with 15mm through axles. | |
| Rear axle: 12mm thru axle, convertible to Quick Release with included adapters | |

Specifications**RIMS**

- **Material** : 100% carbon fiber
 - **Height** : 64mm
 - **Drilling** : traditional
- Disc brake specific profile
- **Tire** : UST Tubeless and tubetype
 - **Internal width** : 19 mm
 - **ETRTO size** : 622x19TC
- UST tubeless technology

SPOKES

- **Material** : steel
- **Shape** : straight pull, flat, double butted
- **Nipples** : brass, ABS
- **Count** : 24 front and rear
- **Lacing** : front and rear crossed 2, contactless

WHEEL HUB

- Infinity hubs
- **Front and rear bodies** : aluminum
 - **Axle material** : aluminum
- Instant Drive 360 freewheel technology
QRM Auto bearing preload technology
- **Front** : Quick release and 12x100 through axle compatible
 - **Rear** : Quick Release, 12x142 and 12x135 compatible
- Hub available for Center Lock brake rotors only

VERSIONS

- **Disc standard** : Center Lock® only
- **Freewheel** : Shimano/Sram

WHEEL WEIGHTS

820