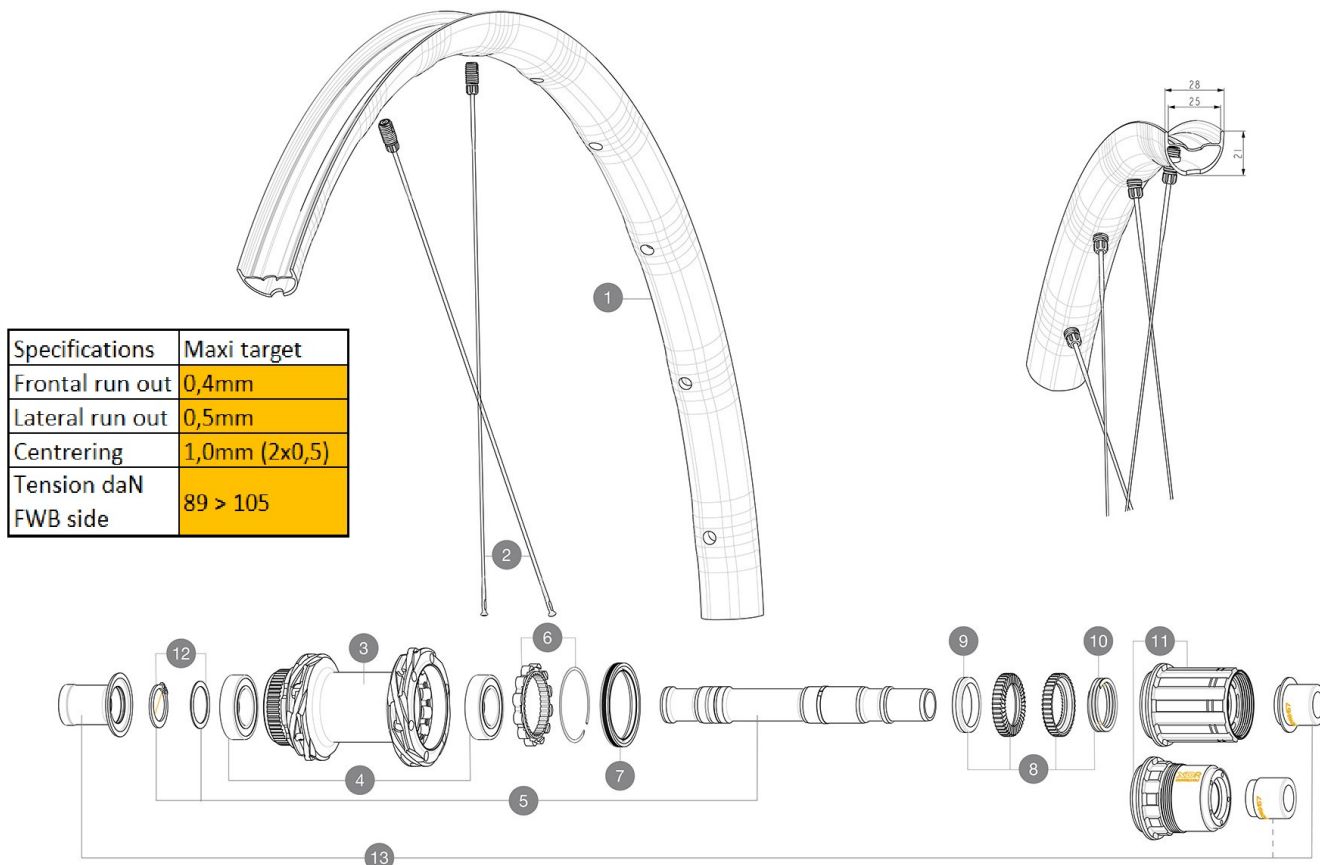


ASTM CATEGORY 2 : road and offroad with jumps less than 15cm
 Non-Boost : 12x135 rear axle adapters (V2510901)
 Boost : Torque Caps for Center Lock hub (V2374401)
 Freewheel: SRAM XD, Shimano HG9, Shimano Micro-Spline

REFERENCES WHEELS



| Specifications | Maxi target |
|----------------------|---------------|
| Frontal run out | 0,4mm |
| Lateral run out | 0,5mm |
| Centrerig | 1,0mm (2x0,5) |
| Tension daN FWB side | 89 > 105 |

RIMS



 :

| | | |
|---|-----------|----------------------------------|
| 1 | V00097431 | Kit Front/Rear rim Allroad SL 23 |
|---|-----------|----------------------------------|

SPOKES

| | | |
|---|----------|--|
| 2 | V4162501 | Kit 12 Front/Rear Allroad SL aero spoke 298 M7/7 |
|---|----------|--|

HUB SHELLS

| | | |
|----|-----------|---|
| 3 | N/A | HUB BODY |
| 4 | M40076 | HUB BEARINGS 17x30x7 6903 x 2 |
| 5 | V00046431 | KIT AXE ID360 142LIGHT CL+CIR |
| 6 | V2252701 | KIT ID360 INSERT SHAPED EAR LOBE > 2017 |
| 7 | V2251601 | KIT ID360 SEAL + GREASE |
| 8 | V2251701 | KIT ID360 2 RATCHETS + SPRING + GREASE |
| 9 | V2500501 | KIT ID360 3 PADS NOISE REDUCING |
| 10 | V2251801 | KIT 3 ID360 ROAD SPRINGS |
| 11 | V2580101 | FREEHUB BODY XD Road ID360 |
| 11 | V3430101 | HG11 Freewheel Body ID360 |
| 12 | V2373001 | KIT ADJUST. SYSTEM QRM AUTO ID360 for 17x30x7 bearing |

OPTIONS

| | |
|----------|---|
| V2510801 | ID360 V2 RrAxleAdapt9x135 |
| V2510901 | ID360 EVO RrAxleAdpt12x135/150 |
| V2373401 | KIT ID360 135/142 DCL L1 AXLE WITH CLIP |

ADAPTERS

| | | |
|----|----------|------------------------------------|
| 13 | V3811001 | KIT ROAD ID360 RR CL ENDCAP (12MM) |
|----|----------|------------------------------------|

MAVIC **ALLROAD SL****DELIVERED WITH**

| | |
|---|--|
| User guide | |
| UST valve and accessories (129 838 01) | |
| Multifonction adjustment wrench (delivered with rear wheel) (325 423 01) | |
| User guide | |
| UST valve and accessories (129 838 01) | |
| Multifonction adjustment wrench (delivered with rear wheel) (325 423 01) | |

COMPATIBILITY

| | |
|---|--|
| Freewheel body: convertible SRAM XD road (kit V2580101 sold separately) | |
| Freewheel body: convertible SRAM XD road (kit V2580101 sold separately) | |
| Freewheel body: convertible SHIMANO HG light road (kit V3850101 sold separately) | |
| Freewheel body: convertible SHIMANO HG light road (kit V3850101 sold separately) | |
| Freewheel body: convertible SHIMANO MS (kit V3990101 sold separately) | |
| Freewheel body: convertible SHIMANO MS (kit V3990101 sold separately) | |
| Freewheel body: convertible CAMPAGNOLO ED (kit V3440101 sold separately) | |
| Freewheel body: convertible CAMPAGNOLO ED (kit V3440101 sold separately) | |
| Freewheel body: convertible CAMPAGNOLO N3W (kit V4270101 sold separately) | |
| Freewheel body: convertible CAMPAGNOLO N3W (kit V4270101 sold separately) | |
| ID360 Shimano Micro Spline alloy freewheel body (V3990101) | |
| Rear axle: for fixing nuts only (included), M9x1 thread | |
| Rear axle adapters: 12x142 convertible to 9x135 (kit V2510801 sold separately) and by changing the axle (V2373401 also sold separately) | |
| ID360 Shimano Micro Spline alloy freewheel body (V3990101) | |
| Front axle: convertible from 15mm thru axle to Quick Release with adapters (delivered with non-boost wheel) | |
| FTS-L Shimano / Sram freewheel body ([30871101] - Delivered on the wheel) | |
| ID360 Sram XD freewheel body (V3740101) | |
| Rear axle: for fixing nuts only (included), M9x1 thread | |