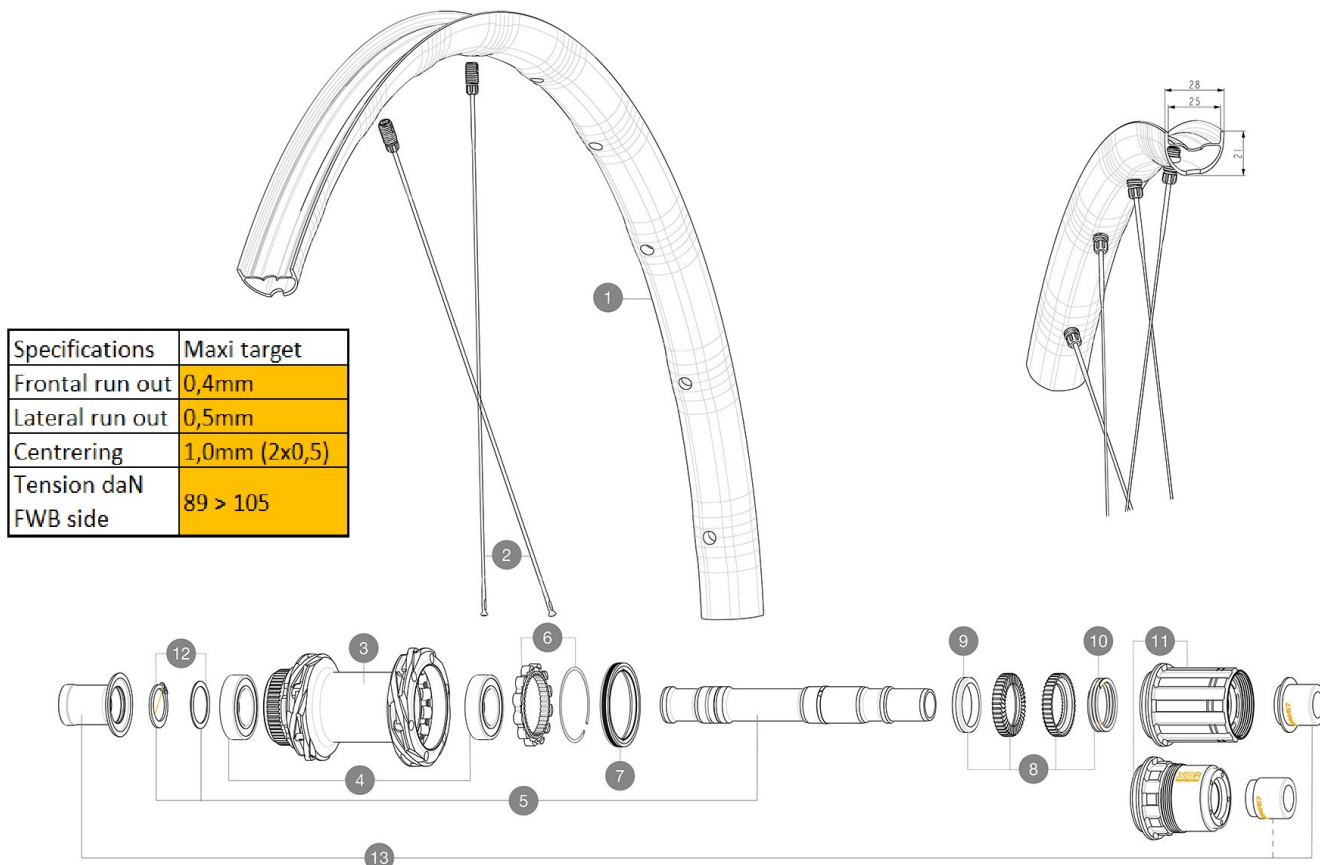


ASTM CATEGORY 2 : road and offroad with jumps less than 15cm
 Non-Boost : 12x135 rear axle adapters (V2510901)
 Boost : Torque Caps for Center Lock hub (V2374401)
 Freewheel: SRAM XD, Shimano HG9, Shimano Micro-Spline

REFERENCES WHEELS



Specifications	Maxi target
Frontal run out	0,4mm
Lateral run out	0,5mm
Centrerig	1,0mm (2x0,5)
Tension daN FWB side	89 > 105

RIMS



 :

1	V00097431	Kit Front/Rear rim Allroad SL 23
---	-----------	----------------------------------

SPOKES

2	V4162501	Kit 12 Front/Rear Allroad SL aero spoke 298 M7/7
---	----------	--

HUB SHELLS

3	N/A	HUB BODY
4	M40076	HUB BEARINGS 17x30x7 6903 x 2
5	V00046431	KIT AXE ID360 142LIGHT CL+CIR
6	V2252701	KIT ID360 INSERT SHAPED EAR LOBE > 2017
7	V2251601	KIT ID360 SEAL + GREASE
8	V2251701	KIT ID360 2 RATCHETS + SPRING + GREASE
9	V2500501	KIT ID360 3 PADS NOISE REDUCING
10	V2251801	KIT 3 ID360 ROAD SPRINGS
11	V3430101	HG11 Freewheel Body ID360
11	V2580101	FREEHUB BODY XD Road ID360
12	V2373001	KIT ADJUST. SYSTEM QRM AUTO ID360 for 17x30x7 bearing

OPTIONS

V2510801	ID360 V2 RrAxleAdapt9x135
V2510901	ID360 EVO RrAxleAdpt12x135/150
V2373401	KIT ID360 135/142 DCL L1 AXLE WITH CLIP

ADAPTERS

13	V3811001	KIT ROAD ID360 RR CL ENDCAP (12MM)
----	----------	------------------------------------

MAVIC **ALLROAD SL****DELIVERED WITH**

User guide	
UST valve and accessories (129 838 01)	
Multifonction adjustment wrench (delivered with rear wheel) (325 423 01)	
User guide	
UST valve and accessories (129 838 01)	
Multifonction adjustment wrench (delivered with rear wheel) (325 423 01)	

COMPATIBILITY

Freewheel body: convertible SRAM XD road (kit V2580101 sold separately)	
Freewheel body: convertible SRAM XD road (kit V2580101 sold separately)	
Freewheel body: convertible SHIMANO HG light road (kit V3850101 sold separately)	
Freewheel body: convertible SHIMANO HG light road (kit V3850101 sold separately)	
Freewheel body: convertible SHIMANO MS (kit V3990101 sold separately)	
Freewheel body: convertible SHIMANO MS (kit V3990101 sold separately)	
Freewheel body: convertible CAMPAGNOLO ED (kit V3440101 sold separately)	
Freewheel body: convertible CAMPAGNOLO ED (kit V3440101 sold separately)	
Freewheel body: convertible CAMPAGNOLO N3W (kit V4270101 sold separately)	
Freewheel body: convertible CAMPAGNOLO N3W (kit V4270101 sold separately)	
ID360 Shimano Micro Spline alloy freewheel body (V3990101)	
Rear axle: for fixing nuts only (included), M9x1 thread	
Rear axle adapters: 12x142 convertible to 9x135 (kit V2510801 sold separately) and by changing the axle (V2373401 also sold separately)	
Front axle: convertible from 15mm thru axle to Quick Release with adapters (delivered with non-boost wheel)	
FTS-L Shimano / Sram freewheel body ([30871101] - Delivered on the wheel)	
ID360 Sram XD freewheel body (V3740101)	
Rear axle: for fixing nuts only (included), M9x1 thread	
ID360 Shimano Micro Spline alloy freewheel body (V3990101)	