

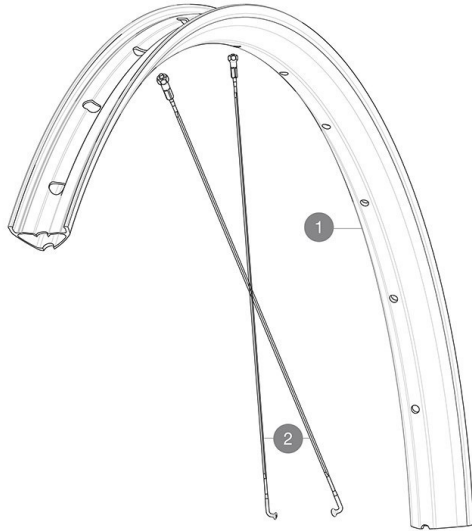
MAVIC DEEMAX DH YLW MULLET

ASTM CATEGORY 5 : GRAVITY RIDING FOCUSED ON THE DESCENT

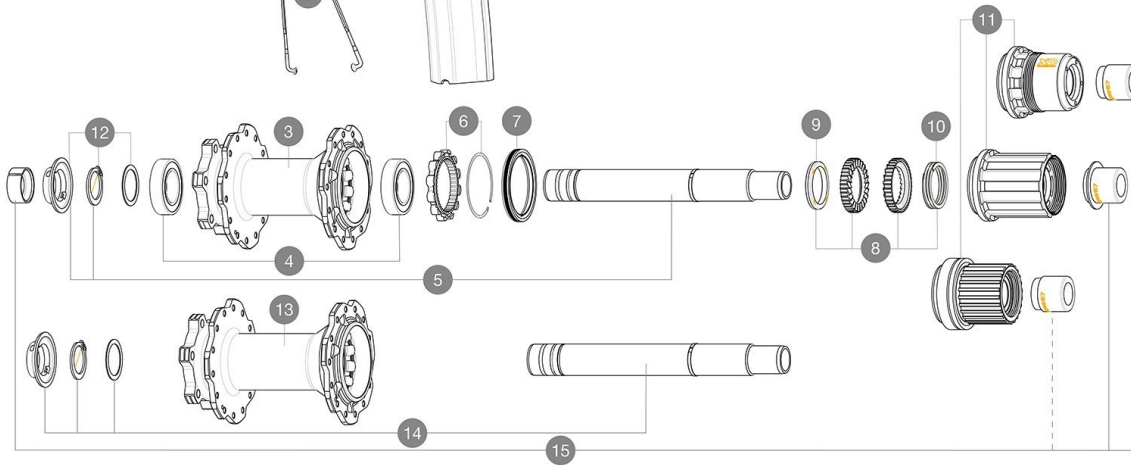
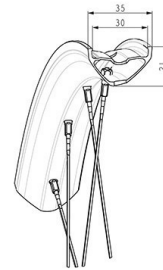
For a longer longevity of the wheel, Mavic recommends that the total weight supported by the wheels doesn't exceed 150kg, bike included

Minimum tyre size: width 52mm - pressure max. 2.95Bar/43PSI

Non-Boost : 12 to 9mm rear adapter for quick release (V2510801)

REFERENCES WHEELS

Specifications	Maxi target
Frontal run out	0,5mm
Lateral run out	0,5mm
Centring	1,0mm (2x0,5)
Tension daN FWB side	99 > 119

**RIMS**

&NBSP;:

1	V00095031	Kit Rear rim Deemax DH yellow 27,5"
	V3750101	35mm UST Green Tape for 30mm wide rims

SPOKES

2	V2388001	Kit 14 J BENT STEEL SPOKES 281mm DEEMAX DH 27,5" + black st
---	----------	---

HUB SHELLS

3	N/A	HUB BODY
4	M40076	HUB BEARINGS 17x30x7 6903 x 2
5	V2372201	KIT ID360 148 D6T AXLE WITH CLIP
6	V2252701	KIT ID360 INSERT SHAPED EAR LOBE > 2017
7	V2251601	KIT ID360 SEAL + GREASE
8	V2375201	KIT ID360 24 TEETH 2 RATCHET + MTB SPRING + PAD (specific)
9	V2375401	KIT ID360 MTB 24T 3 NOISE REDUCING PADS
10	V2372901	KIT 3 ID360 MTB SPRINGS
11	V3780101	HG9 Alloy MTB Freewheel Body ID360
11	V3740101	XD MTB Freewheel Body ID360
11	V3990101	MicroSpline MTB Freewheel Body ID360
12	V2373001	KIT ADJUST. SYSTEM QRM AUTO ID360 for 17x30x7 bearing
13	N/A	HUB BODY
14	V2374801	Kit ID360 150/157 D6T AXLE WITH CIRCLIP

OPTIONS

8	V2372801	KIT ID360 2x40 TEETH RATCHETS + MTB SPRING + GREASE + PAD
---	----------	---

ADAPTERS

15	V2510701	ID360V2RrAxleAdapt12x142/148
----	----------	------------------------------

DELIVERED WITH

User guide	
UST valve and accessories (129 838 01)	
Pre-installed tubeless rim tape	
User guide	
Pre-installed tubeless rim tape	
UST valve and accessories (129 838 01)	
Specific disc bolts	
Specific disc bolts	
12 to 9mm rear adapter for quick release (V2510801)	

COMPATIBILITY

Freewheel body: convertible SHIMANO MS (kit V3990101 sold separately)	
Freewheel body: convertible SHIMANO MS (kit V3990101 sold separately)	
Freewheel body: convertible SHIMANO HG MTB aluminium (kit V3780101 sold separately)	
Freewheel body: convertible SHIMANO HG MTB aluminium (kit V3780101 sold separately)	
Freewheel body: convertible SHIMANO HG MTB steel (kit V3790101 sold separately)	
Freewheel body: convertible SHIMANO HG MTB steel (kit V3790101 sold separately)	
ID360 Shimano / Sram freewheel body (V3430101) - Delivered on the wheel	
Rear axle adapters: 12x148 convertible to 9x141 (kit V2510801 sold separately)	
Rear axle adapters: 12x148 convertible to 9x141 (kit V2510801 sold separately)	
ID360 Shimano / Sram freewheel body (V3430101) - Delivered on the wheel	
Instant Drive 360 freewheel technology The new Instant Drive 360 freewheel system is super light and fast to engage with only 9Â°. A large contactless rubber seal provides low friction, while a wide array of end caps makes it super versatile.	

Specifications

RIMS

- **Material** : Mactal
- **Material** : Mactal
- **Height** : 22 mm
- **Height** : 22 mm
- **Joint** : SUP welding technology
- **Joint** : SUP welding technology
- **Internal width** : 30 mm
- **Internal width** : 30 mm
- **Drilling** : traditional (front/rear 28 holes)
- **Drilling** : traditional (front/rear 28 holes)

Disc brake specific profile

Disc brake specific profile

Asymmetrical rim design

Asymmetrical rim design

- **ETRTO size 27.5"** : 584x30TC

- **ETRTO size** : 622/584x30TC

- **Tire** : clincher

- **Tire** : clincher

SPOKES

- **Material** : steel

- **Material** : steel

- **Lacing** : front radial, rear crossed 2, contactless

- **Lacing** : front radial, rear crossed 2, contactless

Instant Drive 360 freewheel technology

Isopulse lacing design

Isopulse lacing design

WHEEL HUB

- **Body** : aluminum

- **Body** : aluminum

- **Disc standard** : 6 Bolts only

- **Disc standard** : 6 Bolts only

- **Axle material** : aluminum

- **Axle material** : aluminum

- **Axle size** : rear 12x148 or 12x157

- **Axle size** : rear 12x148 or 12x157

- **Axles** : Front 15X110 (Boost) or 15x100 ; Rear

- 12X148 (Boost) or 12x142

- **Axles** : Front 15X110 (Boost) or 15x100 ; Rear

- 12X148 (Boost) or 12x142

- **Front** : Quick release, 12x100 and 15x100

through axle compatible

- **Front** : Quick release, 12x100 and 15x100

through axle compatible

- **Freewheel** : FTS-L steel

- **Freewheel** : FTS-L steel

WHEEL WEIGHTS

1065