

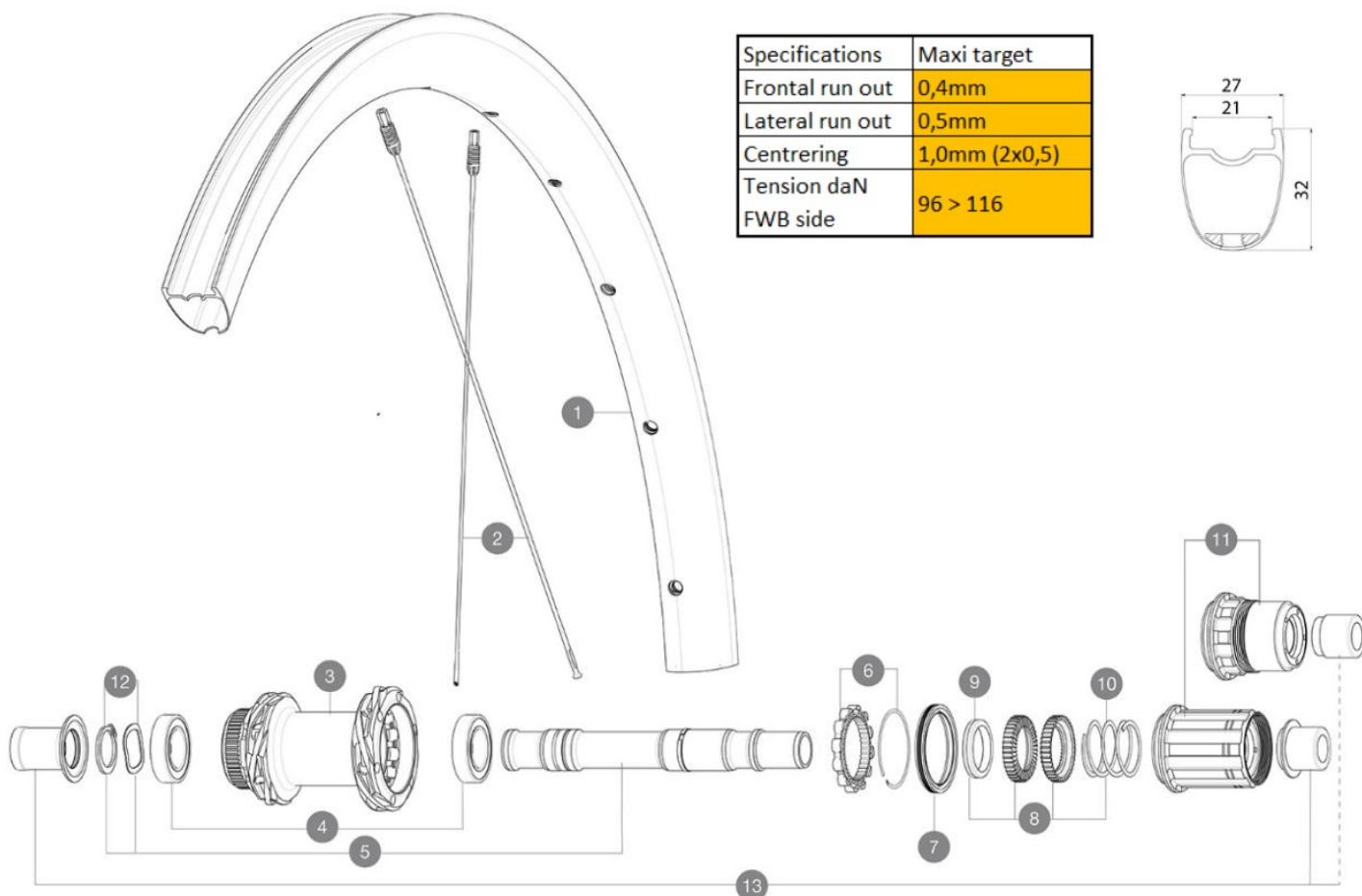
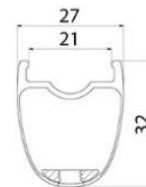
MAVIC COSMIC SLR 32 BG

1
2024
REAR

ASTM CATEGORY 2 : road and offroad with jumps less than 15cm
For a longer longevity of the wheel, Mavic recommends that the total weight supported by the wheels doesn't exceed 120kg, bike included

REFERENCES WHEELS

Specifications	Maxi target
Frontal run out	0,4mm
Lateral run out	0,5mm
Centring	1,0mm (2x0,5)
Tension daN FWB side	96 > 116



RIMS



&NBSP;:

1 V4094615 Kit Front/Rear rim Cosmic SLR 32 Disc

SPOKES

2 V4164801 Kit 12 CosmicSLR32 Disc aero sspk M6 291

HUB SHELLS

3	N/A	HUB BODY
3	N/A	HUB BODY
4	M40076	HUB BEARINGS 17x30x7 6903 x 2
5	V00046431	KIT AXE ID360 142LIGHT CL+CIR
6	V2252701	KIT ID360 INSERT SHAPED EAR LOBE > 2017
8	V2251701	KIT ID360 2 RATCHETS + SPRING + GREASE
9	V2500501	KIT ID360 3 PADS NOISE REDUCING
10	V2251801	KIT 3 ID360 ROAD SPRINGS
11	V2580101	FREEHUB BODY XD Road ID360
11	V3430101	HG11 Freewheel Body ID360
12	V2373001	KIT ADJUST. SYSTEM QRM AUTO ID360 for 17x30x7 bearing

OPTIONS

V2373401 KIT ID360 135/142 DCL L1 AXLE WITH CLIP

ADAPTERS

13 V3811001 KIT ROAD ID360 RR CL ENDCAP (12MM)
V2510901 ID360 EVO RrAxleAdpt12x135/150
V2510801 ID360 V2 RrAxleAdapt9x135

DELIVERED WITH

UST valve and accessories (129 838 01)	
User guide	

COMPATIBILITY

Freewheel body: convertible SRAM XD road (kit V2580101 sold separately)	
Freewheel body: convertible SHIMANO HG light road (kit V3850101 sold separately)	
Freewheel body: convertible SHIMANO MS (kit V3990101 sold separately)	
Freewheel body: convertible CAMPAGNOLO ED (kit V3440101 sold separately)	
Freewheel body: convertible CAMPAGNOLO N3W (kit V4270101 sold separately)	
ID360 Campagnolo freewheel body ([V3440101])	
FTS-L Shimano / Sram freewheel body ([30871101] - Delivered on the wheel)	
ID360 Shimano steel freewheel body ([V3790101])	
ID360 Sram XD freewheel body ([V3740101])	
Rear axle: for fixing nuts only (included), M9x1 thread	
ID360 Shimano Micro Spline alloy freewheel body ([V3990101])	
ID360 N3W freewheel body ([V4270101])	
Front axle: convertible from 15mm thru axle to Quick Release with adapters (delivered with non-boost wheel)	

Specifications

RIMS

- **Material** : 100% carbon fiber with UDÂ² external layer
 - **Height** : 32mm
 - **Internal width** : 21 mm
- Fore Carbon tapeless tubeless technology
Disc brake specific profile
- **ETRTO size** : 622x21TC
 - **Tire** : UST Tubeless and tubetype

SPOKES

- **Material** : steel
 - **Shape** : straight pull, elliptical aero, double butted (patented)
 - **Screw** : M6
- R2R carbon spoke technology

WHEEL HUB

- **Body** : aluminum
- **Body design** : INFINITY
- **Disc standard** : Center LockÂ© only
- **Axle material** : aluminum
- **Axle size** : front 12x100 / rear 12x142 - Convertible to quick release with included adapters
- **Axles** : Front 15X110 (Boost) or 15x100 ; Rear 12X148 (Boost) or 12x142
- **Freewheel** : Shimano HG road
- **Freewheel** : FTS-L steel

WHEEL WEIGHTS