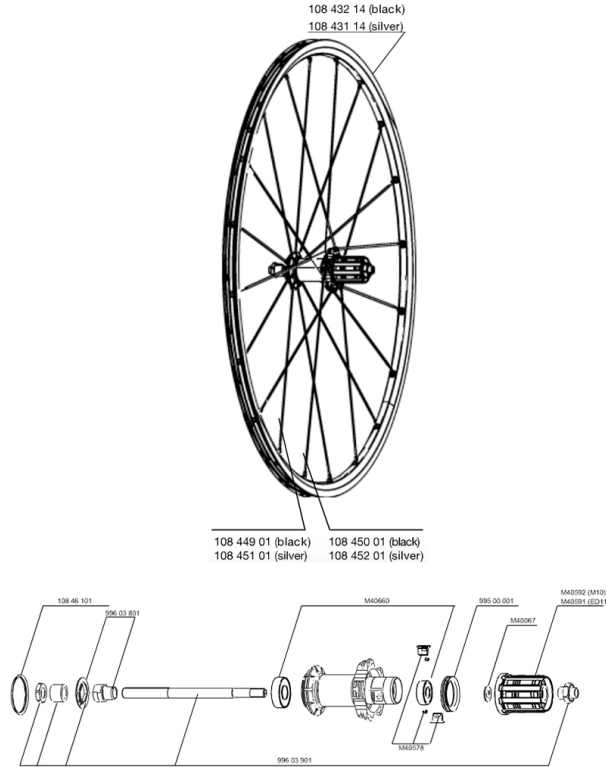


**REFERENCES WHEELS**

996968	AKSIUM 010 Black M10	996981	AKSIUM 010 Silver M10
996969	AKSIUM 010 Black ED11	996982	AKSIUM 010 Silver ED11



**RIMS**



&nbsp;:

10843114	FR/RE.SILVER RIM AKSIUM 010
10843214	KIT FRONT/REAR BLACK RIM AKSIUM 010

**SPOKES**

10845101	10 SILVER FRT/REAR OFW AKSIUM 010 SPOKES 282mm
10845001	KIT 10 DS AKSIUM STEEL AERO SPOKES 299mm
10845201	10 SILVER REAR FW AKSIUM 010 SPOKES 298mm
10844901	KIT 10 FT KSYRIUM EQ S/FT+NDS AKSIUM SPK 285mm - while stock

**HUB SHELLS**

99603901	REAR AXLE QRM ROAD 2008
99500001	FTSL/FTSX FREEHUB BODY SEAL
M40578	FTSL PAWLS KIT (ROAD WHEELS)
99603801	SHORT EXPENSIBLE BEARING SUPPORTS > 2008
M40592	FTSL FREEWHEEL BODY M10
M40067	INTERNAL FREEWHEEL SPACER FTSL/FTSX
N/A	HUB BODY
M40660	REAR HUB 608+6001 BEARINGS
M40591	FTSL FREEWHEEL BODY ED10

**DELIVERED WITH**

BR101 quick releases	
BR101 quick releases	
Rim tape	
Rim tape	
User guide	
User guide	

**Specifications****RIMS**

- **Material** : 6106 Aluminum
- **Material** : 6106 Aluminum
- **Height** : 24 mm
- **Color** : black anodized
- **Height** : 24 mm
- **Joint** : pinned
- **Joint** : pinned
- **Drilling** : traditional
- **Brake track** : UB Control
- **Drilling** : traditional
- **Eyelet** : H2 technology
- **Brake track** : UB Control
- **Valve hole diameter** : 6.5 mm
- **Tyre** : clincher
- **Valve hole diameter** : 6.5 mm
- **Tyre** : clincher
- **ETRTO size** : 622x15C
- **ETRTO size** : 622x15C
- **Recommended tyre sizes** : 19 to 32 mm
- **Recommended tyre sizes** : 19 to 32 mm

**SPOKES**

- **Material** : steel
- **Material** : steel
- **Shape** : straight pull, bladed
- **Shape** : straight pull, bladed
- **Color** : black
- **Nipples** : brass, ABS
- **Nipples** : brass, self lock concept
- **Count** : 20 front and rear
- **Count** : 20 front and rear
- **Lacing** : radial front and rear non-drive side, crossed 2 rear drive side
- **Lacing** : radial front and rear non-drive side, crossed 2 rear drive side

**WHEEL HUB**

- **Front and rear bodies** : aluminum
- **Front and rear bodies** : aluminum
- **Front and rear axle material** : steel
- **Color** : black
- QRM
- **Front and rear axle material** : steel
- FTS-L steel
- QRM
- FTS-L steel

**WHEEL WEIGHTS**

Wheel weight 965