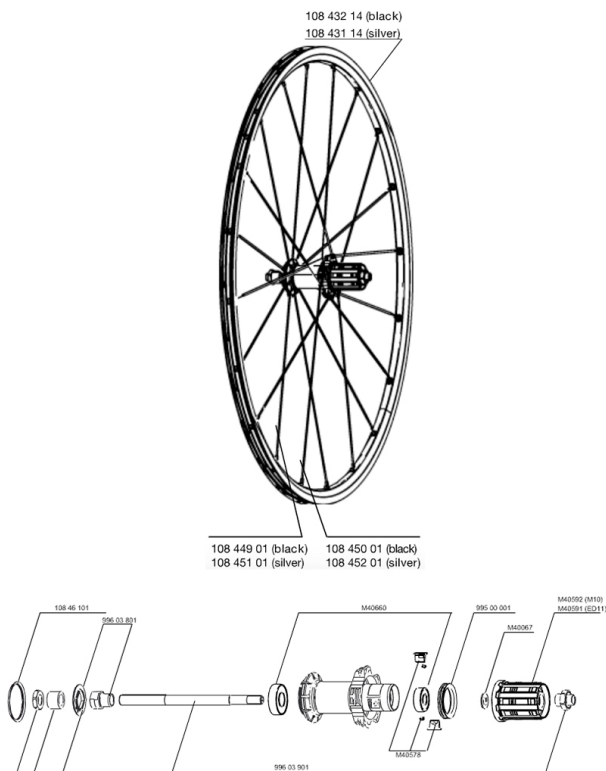


REFERENCES WHEELS

| | | | |
|--------|-----------------------|--------|------------------------|
| 996968 | AKSIUM 010 Black M10 | 996981 | AKSIUM 010 Silver M10 |
| 996969 | AKSIUM 010 Black ED11 | 996982 | AKSIUM 010 Silver ED11 |



RIMS



&NBSP;:

| | |
|----------|-------------------------------------|
| 10843214 | KIT FRONT/REAR BLACK RIM AKSIUM 010 |
| 10843114 | FR/RE.SILVER RIM AKSIUM 010 |

SPOKES

| | |
|----------|--|
| 10845101 | 10 SILVER FRT/REAR OFW AKSIUM 010 SPOKES 282mm |
| 10845001 | KIT 10 DS AKSIUM STEEL AERO SPOKES 299mm |
| 10845201 | 10 SILVER REAR FW AKSIUM 010 SPOKES 298mm |
| 10844901 | KIT 10 FT KSYRIUM EQ S/FT+NDS AKSIUM SPK 285mm - while stock |

HUB SHELLS

| | |
|----------|--|
| 99603901 | REAR AXLE QRM ROAD 2008 |
| 99500001 | FTSL/FTSX FREEHUB BODY SEAL |
| M40578 | FTSL PAWLS KIT (ROAD WHEELS) |
| 99603801 | SHORT EXPENSIBLE BEARING SUPPORTS > 2008 |
| M40592 | FTSL FREEWHEEL BODY M10 |
| M40067 | INTERNAL FREEWHEEL SPACER FTSL/FTSX |
| N/A | HUB BODY |
| M40660 | REAR HUB 608+6001 BEARINGS |
| M40591 | FTSL FREEWHEEL BODY ED10 |

DELIVERED WITH

| | |
|----------------------|--|
| BR101 quick releases | |
| BR101 quick releases | |
| Rim tape | |
| Rim tape | |
| User guide | |
| User guide | |

Specifications**RIMS**

- **Material** : 6106 Aluminum
- **Material** : 6106 Aluminum
- **Height** : 24 mm
- **Color** : black anodized
- **Joint** : pinned
- **Height** : 24 mm
- **Joint** : pinned
- **Drilling** : traditional
- **Brake track** : UB Control
- **Drilling** : traditional
- **Eyelet** : H2 technology
- **Brake track** : UB Control
- **Valve hole diameter** : 6.5 mm
- **Tyre** : clincher
- **Valve hole diameter** : 6.5 mm
- **Tyre** : clincher
- **ETRTO size** : 622x15C
- **ETRTO size** : 622x15C
- **Recommended tyre sizes** : 19 to 32 mm
- **Recommended tyre sizes** : 19 to 32 mm

SPOKES

- **Material** : steel
- **Material** : steel
- **Shape** : straight pull, bladed
- **Shape** : straight pull, bladed
- **Color** : black
- **Nipples** : brass, ABS
- **Nipples** : brass, self lock concept
- **Count** : 20 front and rear
- **Count** : 20 front and rear
- **Lacing** : radial front and rear non-drive side, crossed 2 rear drive side
- **Lacing** : radial front and rear non-drive side, crossed 2 rear drive side

WHEEL HUB

- **Front and rear bodies** : aluminum
- **Front and rear bodies** : aluminum
- **Color** : black
- **Front and rear axle material** : steel QRM
- **Front and rear axle material** : steel FTS-L steel QRM
- **Front and rear axle material** : steel FTS-L steel QRM

WHEEL WEIGHTS

Wheel weight 965