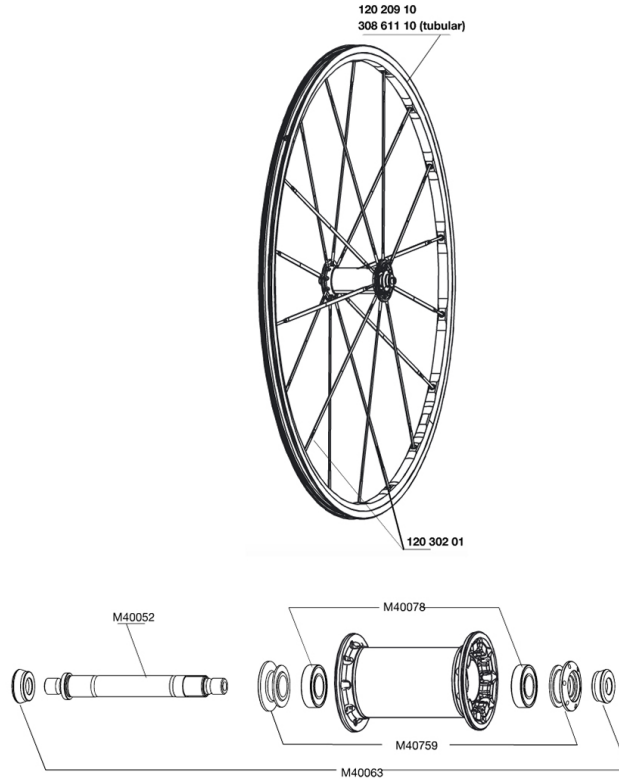


## REFERENZEN RÄDER

|        |                    |        |                            |
|--------|--------------------|--------|----------------------------|
| 112018 | KSYRIUM SR FRT     | 307562 | KSYRIUM SR TUBULAR FRT     |
| 112021 | KSYRIUM SR M10 PR  | 307565 | KSYRIUM SR TUBULAR/M10 PR  |
| 112022 | KSYRIUM SR ED11 PR | 307566 | KSYRIUM SR TUBULAR/ED11 PR |



### RIMS



&NBSP;:

|          |                              |
|----------|------------------------------|
| 30861110 | FRONT KSYRIUM SR TUBULAR RIM |
| 12020910 | FRONT KSYRIUM SR RIM         |

### SPOKES

|          |  |
|----------|--|
| 12030201 | 12 BLK FRONT SPOKES KSYRIUM SLR/SR/SL 11 285mm |
|----------|--|

### HUB SHELLS

|        |                           |
|--------|---------------------------|
| M40078 | FRONT HUB 6901 BEARINGS   |
| M40063 | 2 FRONT AXLE FORK SUPPORT |
| M40052 | FRONT HUB AXLE            |

# **MAVIC** *Ksyrium SR*

## ***Specifications***

RADGEWICHTE