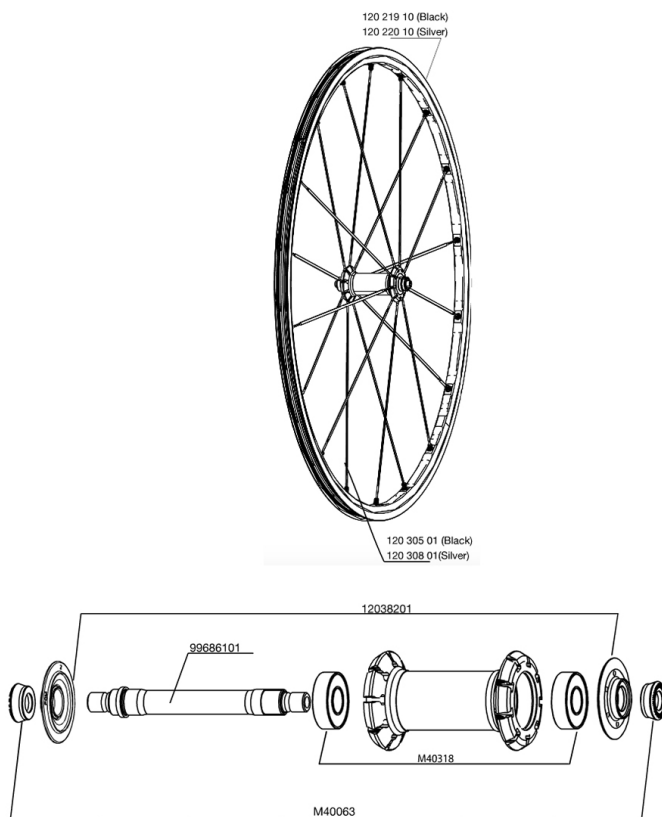


## REFERENCES WHEELS

|        |                              |        |                                |
|--------|------------------------------|--------|--------------------------------|
| 112215 | KSYRIUM ELITE 011 Bk FRT     | 118431 | KSYRIUM ELITE 011 SilverM10 PR |
| 118428 | KSYRIUM ELITE 011 Silver FRT | 118432 | KSYRIUM ELITE 011 SilverED11PR |



## RIMS



&NBSP;:

|   |          |                                   |
|---|----------|-----------------------------------|
| 1 | 12021910 | FRONT KSYRIUM ELITE 11 BLACK RIM  |
| 1 | 12022010 | FRONT KSYRIUM ELITE 11 SILVER RIM |

## SPOKES

|   |          |   |
|---|----------|---|
| 2 | 12030801 | 9 SILVER FRONT SPOKES KSYRIUM ELITE 11 284mm      |
| 2 | 12030501 | KIT 9 FT KSYRIUM ELITE 11/ELITE S BLK SPOKE 284mm |

## HUB SHELLS

|          |   |
|----------|---|
| 99686101 | KSYRIUM ELITE 09 FRONT AXLE             |
| 12038201 | KSYRIUM ELITE HUB CAP AND ADJUSTING NUT |
| M40063   | 2 FRONT AXLE FORK SUPPORT               |
| M40318   | KIT 2 HUB BEARINGS 6001                 |

# MAVIC Ksyrium Elite

## DELIVERED WITH

|                      |  |
|----------------------|--|
| BR301 quick releases |  |
| User guide           |  |

## Specifications

### RIMS

- **Material** : Maxtal
- **Color** : Double anodization, black rim, silver ISM
- **Height** : front 22 mm, rear 25 mm asymmetrical
- **Joint** : SUP
- **Drilling** : Fore
- **Brake track** : UB Control
- **Weight reduction** : ISM
- **Valve hole diameter** : 6.5 mm
- **Tyre** : clincher
- **ETRTO size** : 622x15C
- **Recommended tyre sizes** : 19 to 32 mm

### SPOKES

- **Material** : steel
- **Shape** : straight pull, bladed
- **Color** : black
- **Nipples** : integrated M7 aluminum with dry thread lock
- **Count** : front 18, rear 20
- **Lacing** : front radial, rear Isopulse

### WHEEL HUB

- **Front and rear bodies** : aluminum
- **Color** : black
- **Front and rear axle material** : aluminum QRM+
- **FTS-L steel**

### WHEEL WEIGHTS

Wheel weight 690