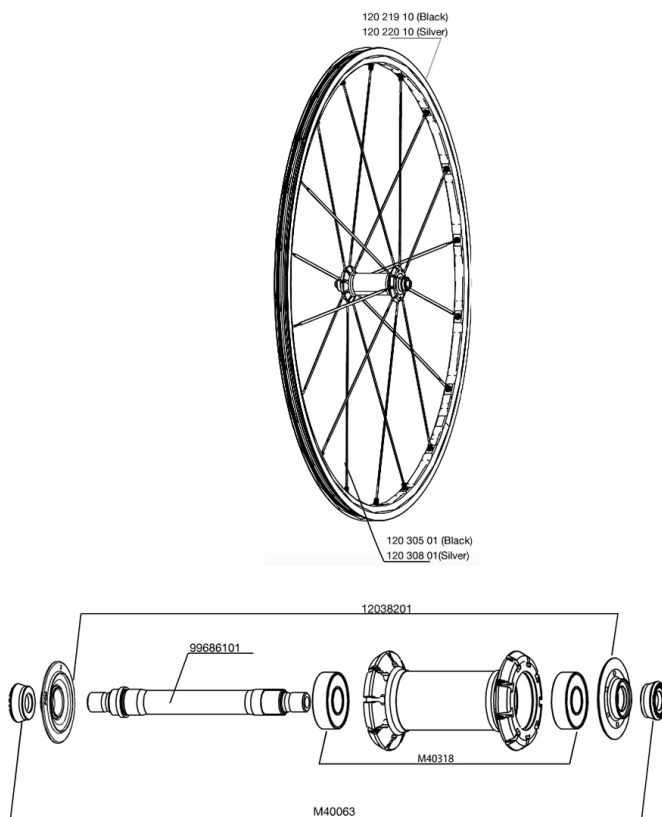


## REFERENCES WHEELS

112215	KSYRIUM ELITE 011 Bk FRT	118431	KSYRIUM ELITE 011 SilverM10 PR
118428	KSYRIUM ELITE 011 Silver FRT	118432	KSYRIUM ELITE 011 SilverED11PR



## RIMS



&NBSP;:

1	12022010	FRONT KSYRIUM ELITE 11 SILVER RIM
1	12021910	FRONT KSYRIUM ELITE 11 BLACK RIM

## SPOKES

2	12030801	9 SILVER FRONT SPOKES KSYRIUM ELITE 11 284mm
2	12030501	KIT 9 FT KSYRIUM ELITE 11/ELITE S BLK SPOKE 284mm

## HUB SHELLS

M40063	2 FRONT AXLE FORK SUPPORT
M40318	KIT 2 HUB BEARINGS 6001
99686101	KSYRIUM ELITE 09 FRONT AXLE
12038201	KSYRIUM ELITE HUB CAP AND ADJUSTING NUT

# MAVIC Ksyrium Elite

## DELIVERED WITH

BR301 quick releases	
User guide	

## Specifications

### RIMS

- **Material** : Maxtal
- **Color** : Double anodization, black rim, silver ISM
- **Height** : front 22 mm, rear 25 mm asymmetrical
- **Joint** : SUP
- **Drilling** : Fore
- **Brake track** : UB Control
- **Weight reduction** : ISM
- **Valve hole diameter** : 6.5 mm
- **Tyre** : clincher
- **ETRTO size** : 622x15C
- **Recommended tyre sizes** : 19 to 32 mm

### SPOKES

- **Material** : steel
- **Shape** : straight pull, bladed
- **Color** : black
- **Nipples** : integrated M7 aluminum with dry thread lock
- **Count** : front 18, rear 20
- **Lacing** : front radial, rear Isopulse

### WHEEL HUB

- **Front and rear bodies** : aluminum
- **Color** : black
- **Front and rear axle material** : aluminum QRM+
- **Material** : FTS-L steel

### WHEEL WEIGHTS

Wheel weight 690