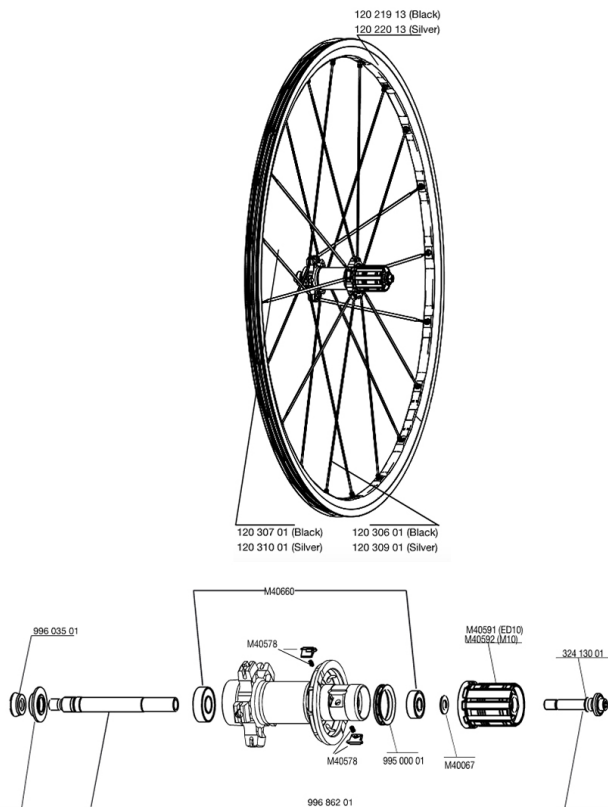


REFERENCES WHEELS

112216	KSYRIUM ELITE 011 Bk M10	118429	KSYRIUM ELITE 011 Silver M10
112218	KSYRIUM ELITE 011 Bk ED11	118430	KSYRIUM ELITE 011 Silver ED11
112219	KSYRIUM ELITE 011 Bk MPR	118431	KSYRIUM ELITE 011 SilverM10 PR
112221	KSYRIUM ELITE 011 Bk EPR	118432	KSYRIUM ELITE 011 SilverED11PR



RIMS



&NBSP;:

1	12022013	REAR KSYRIUM ELITE 11 SILVER RIM
1	12021913	REAR KSYRIUM ELITE 11 BLACK RIM

SPOKES

2	12030701	KIT 10 NDS KSYRIUM ELITE 11/ELITE S BLK SPK 301mm
2	12031001	10 SILV.OPP.DRIVE SIDE SPK KSYRIUM ELITE 11 301mm
3	12030901	10 SILVER DRIVE SIDE SPOKES KSYRIUM ELITE 11 275mm
3	12030601	KIT 10 DS KSYRIUM ELITE 11/ELITE S BLK SPOKE 275mm
	99683501	5 SPOKES CARBONE SLR FRT+OFW

HUB SHELLS

M40592	FTSL FREEWHEEL BODY M10
N/A	HUB BODY
32413001	REAR AXLE BOLT M11/ED11
M40591	FTSL FREEWHEEL BODY ED10
99500001	FTSL/FTSX FREEHUB BODY SEAL
M40578	FTSL PAWLS KIT (ROAD WHEELS)
M40660	REAR HUB 608+6001 BEARINGS

MAVIC Ksyrium Elite

DELIVERED WITH

BR301 quick releases	
User guide	

Specifications

RIMS

- **Material** : Maxtal
- **Color** : Double anodization, black rim, silver ISM
- **Height** : front 22 mm, rear 25 mm asymmetrical
- **Joint** : SUP
- **Drilling** : Fore
- **Brake track** : UB Control
- **Weight reduction** : ISM
- **Valve hole diameter** : 6.5 mm
- **Tyre** : clincher
- **ETRTO size** : 622x15C
- **Recommended tyre sizes** : 19 to 32 mm

SPOKES

- **Material** : steel
- **Shape** : straight pull, bladed
- **Color** : black
- **Nipples** : integrated M7 aluminum with dry thread lock
- **Count** : front 18, rear 20
- **Lacing** : front radial, rear Isopulse

WHEEL HUB

- **Front and rear bodies** : aluminum
- **Color** : black
- **Front and rear axle material** : aluminum QRM+
- **Material** : FTS-L steel

WHEEL WEIGHTS

Wheel weight 860