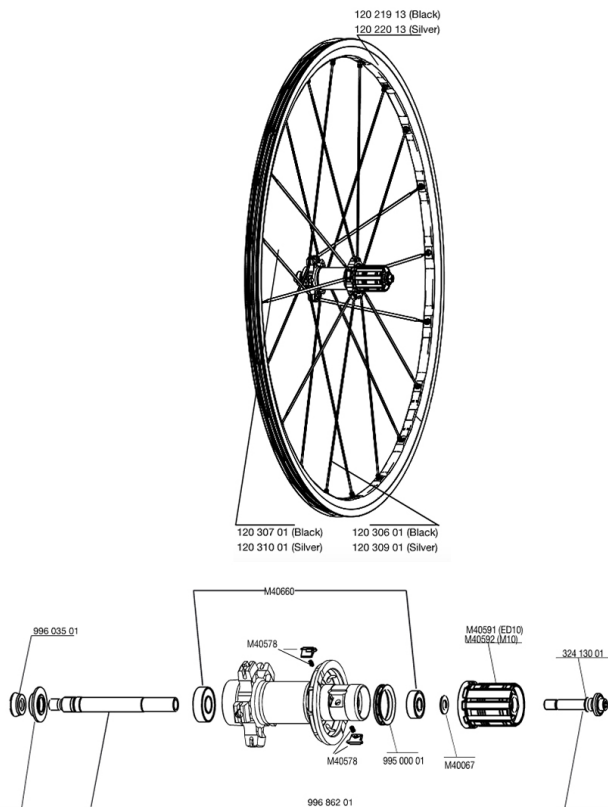


## REFERENCES WHEELS

|        |                           |        |                                |
|--------|---------------------------|--------|--------------------------------|
| 112216 | KSYRIUM ELITE 011 Bk M10  | 118429 | KSYRIUM ELITE 011 Silver M10   |
| 112218 | KSYRIUM ELITE 011 Bk ED11 | 118430 | KSYRIUM ELITE 011 Silver ED11  |
| 112219 | KSYRIUM ELITE 011 Bk MPR  | 118431 | KSYRIUM ELITE 011 SilverM10 PR |
| 112221 | KSYRIUM ELITE 011 Bk EPR  | 118432 | KSYRIUM ELITE 011 SilverED11PR |



## RIMS



&NBSP;:

|   |          |                                  |
|---|----------|----------------------------------|
| 1 | 12022013 | REAR KSYRIUM ELITE 11 SILVER RIM |
| 1 | 12021913 | REAR KSYRIUM ELITE 11 BLACK RIM  |

## SPOKES

|   |          |  |
|---|----------|--|
| 2 | 12030701 | KIT 10 NDS KSYRIUM ELITE 11/ELITE S BLK SPK 301mm  |
| 2 | 12031001 | 10 SILV.OPP.DRIVE SIDE SPK KSYRIUM ELITE 11 301mm  |
| 3 | 12030601 | KIT 10 DS KSYRIUM ELITE 11/ELITE S BLK SPOKE 275mm |
| 3 | 12030901 | 10 SILVER DRIVE SIDE SPOKES KSYRIUM ELITE 11 275mm |
|   | 99683501 | 5 SPOKES CARBONE SLR FRT+OFW                       |

## HUB SHELLS

|  |          |                              |
|--|----------|------------------------------|
|  | M40660   | REAR HUB 608+6001 BEARINGS   |
|  | M40592   | FTSL FREEWHEEL BODY M10      |
|  | N/A      | HUB BODY                     |
|  | 32413001 | REAR AXLE BOLT M11/ED11      |
|  | M40591   | FTSL FREEWHEEL BODY ED10     |
|  | 99500001 | FTSL/FTSX FREEHUB BODY SEAL  |
|  | M40578   | FTSL PAWLS KIT (ROAD WHEELS) |

**MAVIC** *Ksyrium Elite***DELIVERED WITH**

|                      |  |
|----------------------|--|
| BR301 quick releases |  |
| User guide           |  |

**Specifications****RIMS**

- **Material** : Maxtal
- **Color** : Double anodization, black rim, silver ISM
- **Height** : front 22 mm, rear 25 mm asymmetrical
- **Joint** : SUP
- **Drilling** : Fore
- **Brake track** : UB Control
- **Weight reduction** : ISM
- **Valve hole diameter** : 6.5 mm
- **Tyre** : clincher
- **ETRTO size** : 622x15C
- **Recommended tyre sizes** : 19 to 32 mm

**SPOKES**

- **Material** : steel
- **Shape** : straight pull, bladed
- **Color** : black
- **Nipples** : integrated M7 aluminum with dry thread lock
- **Count** : front 18, rear 20
- **Lacing** : front radial, rear Isopulse

**WHEEL HUB**

- **Front and rear bodies** : aluminum
- **Color** : black
- **Front and rear axle material** : aluminum QRM+
- **Material** : FTS-L steel

**WHEEL WEIGHTS**

Wheel weight 860