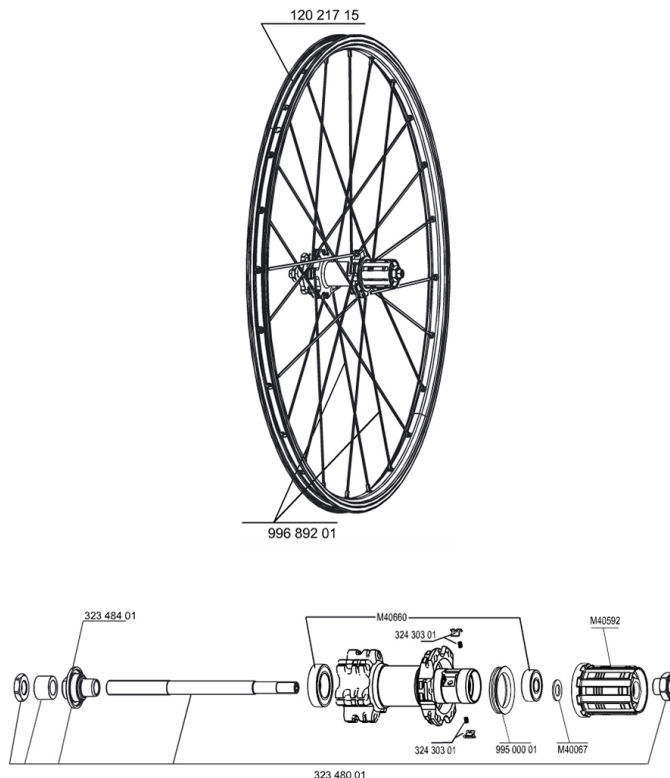


**REFERENCES WHEELS**

117787 CROSSRIDE UB/D011D6T SILVREAR

117788 CROSSRIDE UB/D011D6TSILV PR



**RIMS**



&NBSP;:

|          |                                     |
|----------|-------------------------------------|
| 12021715 | FRONT/REAR CROSSRIDE UB DISC 11 RIM |
|----------|-------------------------------------|

**SPOKES**

|          |                                      |
|----------|--------------------------------------|
| 99689201 | 12 SPOKES CROSSRIDE UB/DISC 09 262mm |
|----------|--------------------------------------|

**HUB SHELLS**

|          |                                     |
|----------|-------------------------------------|
| M40660   | REAR HUB 608+6001 BEARINGS          |
| M40067   | INTERNAL FREEWHEEL SPACER FTSL/FTSX |
| 32348401 | EXPANSIBLE BEARINGS SUPPORT         |
| 99500001 | FTSL/FTSX FREEHUB BODY SEAL         |
| 32348001 | MTB DISC REAR AXLE QRM MTB DISC     |
| M40592   | FTSL FREEWHEEL BODY M10             |

**MAVIC** **CROSSRIDE UB/DISC 011****DELIVERED WITH**

|                      |  |
|----------------------|--|
| BR101 quick releases |  |
| Rim tape             |  |
| User guide           |  |

**Specifications****RIMS**

- **Material** : 6106 Aluminum
- **Joint** : pinned
- **Drilling** : traditional
- **Eyelet** : H2 technology
- **Brake track** : UB Control
- **Valve hole diameter** : 8,5 mm with pop off reducer
- **Tyre** : tubetype
- **Internal width** : 19 mm
- **ETRTO size** : 559x19C
- **Recommended tyre sizes** : 1.5 to 2.3

**SPOKES**

- **Material** : steel
- **Shape** : straight pull, bladed
- **Nipples** : brass, self lock concept
- **Count** : 24 front and rear
- **Lacing** : front and rear crossed 2

**WHEEL HUB**

- **Front and rear bodies** : aluminum
- **Front and rear axle material** : steel
- QRM
- FTS-X steel

**WHEEL WEIGHTS**