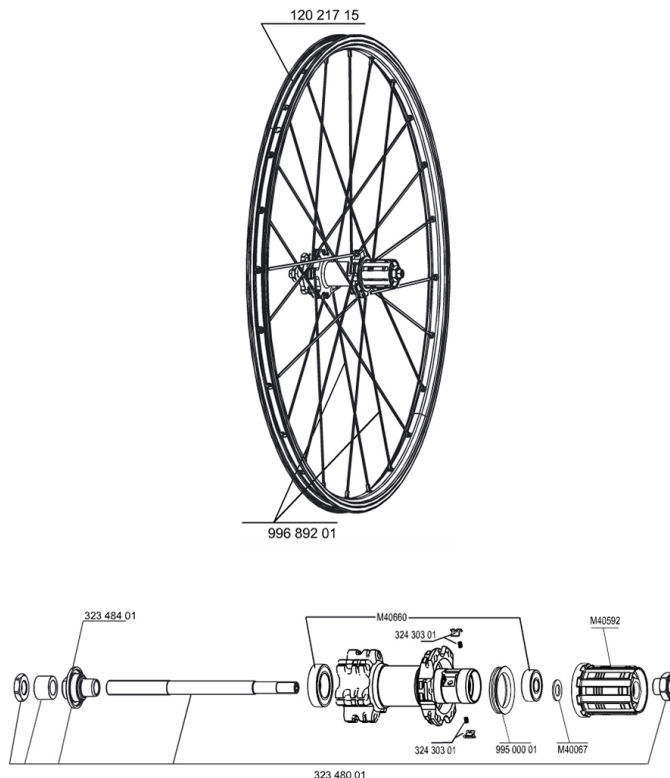


REFERENCES WHEELS

117787 CROSSRIDE UB/D011D6T SILVREAR

117788 CROSSRIDE UB/D011D6TSILV PR



RIMS



&NBSP;:

| | |
|----------|-------------------------------------|
| 12021715 | FRONT/REAR CROSSRIDE UB DISC 11 RIM |
|----------|-------------------------------------|

SPOKES

| | |
|----------|--------------------------------------|
| 99689201 | 12 SPOKES CROSSRIDE UB/DISC 09 262mm |
|----------|--------------------------------------|

HUB SHELLS

| | |
|----------|-------------------------------------|
| M40067 | INTERNAL FREEWHEEL SPACER FTSL/FTSX |
| 32348401 | EXPANSIBLE BEARINGS SUPPORT |
| 99500001 | FTSL/FTSX FREEHUB BODY SEAL |
| 32348001 | MTB DISC REAR AXLE QRM MTB DISC |
| M40592 | FTSL FREEWHEEL BODY M10 |
| M40660 | REAR HUB 608+6001 BEARINGS |

MAVIC **CROSSRIDE UB/DISC 011****DELIVERED WITH**

| | |
|----------------------|--|
| BR101 quick releases | |
| Rim tape | |
| User guide | |

Specifications**RIMS**

- **Material** : 6106 Aluminum
- **Joint** : pinned
- **Drilling** : traditional
- **Eyelet** : H2 technology
- **Brake track** : UB Control
- **Valve hole diameter** : 8,5 mm with pop off reducer
- **Tyre** : tubetype
- **Internal width** : 19 mm
- **ETRTO size** : 559x19C
- **Recommended tyre sizes** : 1.5 to 2.3

SPOKES

- **Material** : steel
- **Shape** : straight pull, bladed
- **Nipples** : brass, self lock concept
- **Count** : 24 front and rear
- **Lacing** : front and rear crossed 2

WHEEL HUB

- **Front and rear bodies** : aluminum
- **Front and rear axle material** : steel
- QRM
- FTS-X steel

WHEEL WEIGHTS