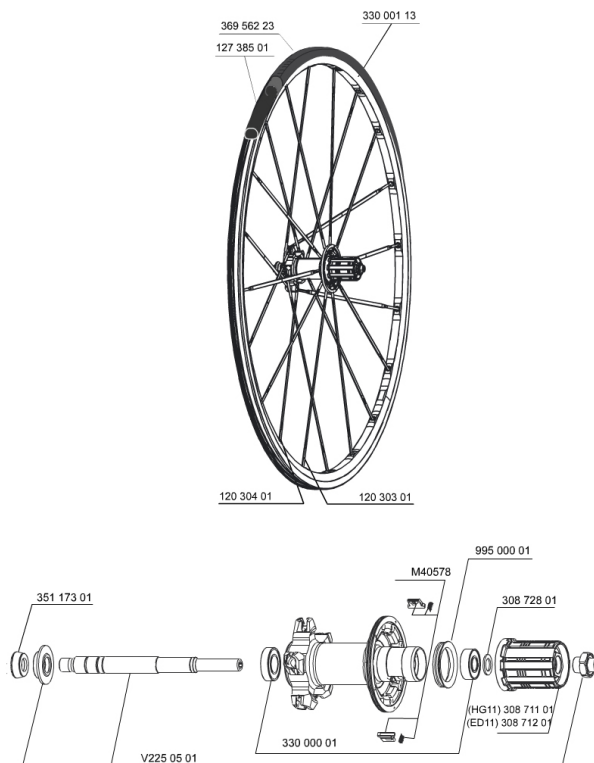


参照ホイール

325693 KSYRIUM SLS ED11 WTS

325692 KSYRIUM SLS M11 WTS



RIMS



&NBSP;:

33000113 REAR KSYRIUM SLS CLINCHER RIM

SPOKES

12030401 10 BLK OPP.DRIVE SIDE SPOKES KSYRIUM SL11 298mm

12030301 KIT 10 DS KSYRIUM SL11 BLACK SPOKE 275mm

HUB SHELLS

33000001 REAR HUB B9+6901 BEARINGS 2013

30871101 FTS-L FREEWHEEL BODY HG11 2013 (8 or 9mm axle compatible)

M40578 FTSL PAWLS KIT (ROAD WHEELS)

V2250501 Axle Kit Ksyrium Elite / SLS

30872801 SET OF 3 INTERNAL SILVER SPACERS 9mm FTS-L 2013

30871201 FTS-L FREEWHEEL BODY ED11 2013 (8 or 9mm axle compatible)

99500001 FTSL/FTSX FREEHUB BODY SEAL

MAINTENAN

CE

12738501 Road Innertube Presta 48mm

ADAPTERS

35117301 FRONT OR REAR FORK REST KIT R-SYS 2013

MAVIC Ksyrium SLS C

付属品

BR601 Â¿Â¿Â¿Â¿Â¿Â¿Â¿Â¿Â¿Â¿Â¿Â¿	
BR601 Â¿Â¿Â¿Â¿Â¿Â¿Â¿Â¿Â¿Â¿Â¿Â¿	
Â¿Â¿Â¿Â¿Â¿Â¿Â¿Â¿Â¿Â¿Â¿Â¿ Â¿Â¿Â¿Â¿Â¿Â¿Â¿Â¿Â¿Â¿	
Â¿Â¿Â¿Â¿Â¿Â¿Â¿Â¿Â¿Â¿Â¿Â¿ Â¿Â¿Â¿Â¿Â¿Â¿Â¿Â¿	
Â¿Â¿Â¿Â¿Â¿Â¿Â¿Â¿	
Â¿Â¿Â¿Â¿Â¿Â¿Â¿Â¿	
Â¿Â¿Â¿Â¿Â¿Â¿Â¿Â¿	
Â¿Â¿Â¿Â¿Â¿Â¿Â¿Â¿	

Specifications

リム

Â¿Â¿Â¿ MxxtalÂ¿Â¿Â¿Â¿Â¿Â¿
 Â¿Â¿Â¿ MxxtalÂ¿Â¿Â¿Â¿Â¿Â¿
 Â¿Â¿Â¿Â¿Â¿Â¿ 22mmÂ¿Â¿Â¿
 mmÂ¿Â¿Â¿Â¿
 Â¿Â¿Â¿Â¿Â¿Â¿Â¿Â¿Â¿Â¿
 Â¿Â¿Â¿Â¿Â¿Â¿
 Â¿Â¿Â¿Â¿Â¿Â¿ SUP
 Â¿Â¿Â¿Â¿Â¿Â¿ 22mmÂ¿Â¿Â¿
 mmÂ¿Â¿Â¿Â¿
 Â¿Â¿Â¿Â¿Â¿Â¿ SUP
 Â¿Â¿Â¿Â¿Â¿Â¿Â¿Â¿ FORE
 Â¿Â¿Â¿Â¿Â¿Â¿ UBÂ¿Â¿Â¿Â¿
 Â¿Â¿Â¿Â¿Â¿Â¿Â¿Â¿ FORE
 Â¿Â¿Â¿Â¿Â¿Â¿
 Â¿Â¿Â¿Â¿Â¿ ISM 3D
 Â¿Â¿Â¿Â¿Â¿Â¿ 6.5 mm
 Â¿Â¿Â¿Â¿Â¿Â¿ UBÂ¿Â¿Â¿Â¿
 Â¿Â¿Â¿Â¿
 Â¿Â¿Â¿Â¿Â¿Â¿Â¿Â¿Â¿
 Â¿Â¿Â¿Â¿ ISM 3D
 Â¿Â¿Â¿Â¿Â¿Â¿ 6.5 mm
 Â¿Â¿Â¿
 Â¿Â¿Â¿Â¿Â¿Â¿Â¿Â¿Â¿
 ETRTO Â¿Â¿Â¿ 622x15C
 ETRTO Â¿Â¿Â¿ 622x15C
 Â¿Â¿Â¿Â¿Â¿Â¿ 19Â¿ 32 mm
 Â¿Â¿Â¿Â¿Â¿ 19Â¿ 32 mm

ホイールハブ

Â¿Â¿Â¿Â¿Â¿Â¿Â¿Â¿Â¿Â¿
 Â¿Â¿Â¿Â¿Â¿Â¿Â¿Â¿Â¿
 Â¿Â¿Â¿Â¿Â¿Â¿Â¿Â¿
 Â¿Â¿Â¿Â¿Â¿Â¿Â¿Â¿
 Â¿Â¿Â¿Â¿Â¿Â¿Â¿Â¿
 Â¿Â¿Â¿Â¿Â¿Â¿Â¿Â¿
 Â¿Â¿Â¿
 Â¿Â¿Â¿Â¿Â¿Â¿Â¿Â¿
 Â¿Â¿
 QRM+
 Â¿Â¿Â¿Â¿Â¿Â¿Â¿
 Â¿Â¿
 FTS-LÂ¿Â¿Â¿
 QRM+
 FTS-LÂ¿Â¿Â¿

ホイールの重み

ホイール重量 (クイックリリー
 スおよびクリンチャー/チュー
 ブラーを除く) (g) : 790

スポーク

Â¿Â¿Â¿
 Â¿Â¿Â¿
 Â¿Â¿
 Â¿Â¿Â¿Â¿Â¿Â¿
 Â¿Â¿
 Â¿Â¿
 Â¿Â¿Â¿Â¿Â¿Â¿
 Â¿Â¿
 Â¿Â¿Â¿Â¿Â¿Â¿ M7
 Â¿Â¿
 Â¿Â¿Â¿Â¿ + 1Â¿
 Â¿Â¿Â¿ 18Â¿ 20Â¿
 Â¿Â¿Â¿Â¿Â¿ M7
 Â¿Â¿
 Â¿Â¿Â¿ 18Â¿ 20Â¿
 Â¿Â¿
 Â¿Â¿Â¿/Â¿
 Â¿
 Â¿
 Â¿