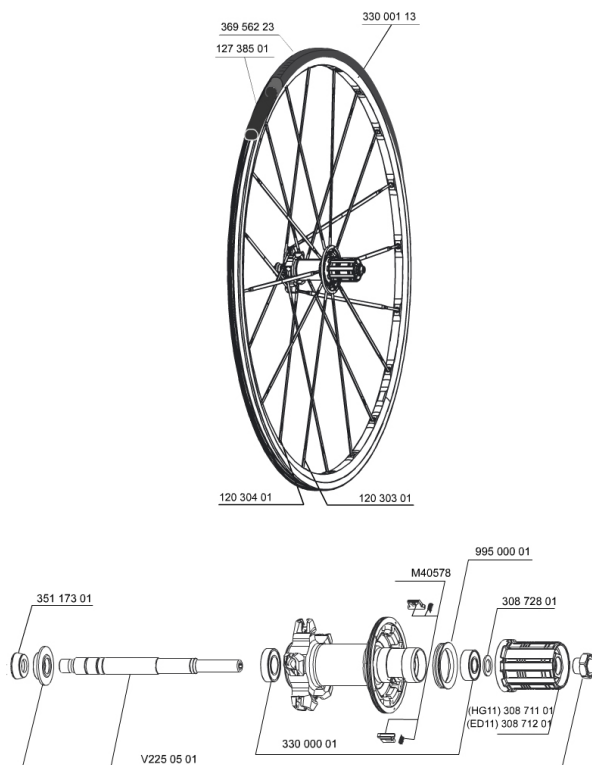


REFERENCES WHEELS

325693 KSYRIUM SLS ED11 WTS

325692 KSYRIUM SLS M11 WTS



RIMS



&NBSP;:

33000113 KIT REAR KSYRIUM SLS CLINCHER RIM

SPOKES

12030301 KIT 10 DS KSYRIUM SL11 BLACK SPOKE 275mm
12030401 KIT 10 NDS KSYRIUM SL11 BLACK SPOKE 298mm

HUB SHELLS

V2250501 KIT REAR AXLE KSYRIUM SLE/SLS/ELITE/PRO EXALITH/ALLROAD ELIT
30872801 SET OF 3 INTERNAL SILVER SPACERS 9mm FTS-L
30871201 FTS-L ROAD FREEWHEEL BODY ED11 8/9 compatible
99500001 FTSL/FTSX FREEHUB BODY SEAL
33000001 REAR HUB B9+6901 BEARINGS 2013
30871101 FTS-L ROAD FREEWHEEL BODY HG11 8/9 compatible
M40578 FTSL PAWLS KIT (ROAD WHEELS)

MAINTENANCE

12738501 Road Innertube Presta 48mm

ADAPTERS

35117301 FT/RR FORK REST R-SYS/CC ULTIMATE > 2013/KSY PRO CARB T

MAVIC Ksyrium SLS C

DELIVERED WITH

BR601 quick releases	
BR601 quick releases	
Computer magnet (front wheel)	
Computer magnet (front wheel)	
Multifonction adjustment wrench	
Multifonction adjustment wrench	
User guide	
User guide	

Specifications

RIMS

- **Material** : Mactal
- **Material** : Mactal
- **Height** : front 22 mm, rear 25 mm asymmetrical
- **Color** : black anodized
- **Joint** : SUP
- **Height** : front 22 mm, rear 25 mm asymmetrical
- **Joint** : SUP
- **Drilling** : Fore
- **Brake track** : UB Control
- **Drilling** : Fore
- **Weight reduction** : ISM 3D
- **Brake track** : UB Control
- **Valve hole diameter** : 6.5 mm
- **Tyre** : clincher or tubular
- **Weight reduction** : ISM 3D
- **Valve hole diameter** : 6.5 mm
- **Tyre** : clincher or tubular
- **ETRTO size** : 622x15C
- **ETRTO size** : 622x15C
- **Recommended tyre sizes** : 19 to 32 mm
- **Recommended tyre sizes** : 19 to 32 mm

SPOKES

- **Material** : Zicral
- **Material** : Zicral
- **Shape** : straight pull, bladed, front double butted
- **Shape** : straight pull, bladed, front double butted
- **Nipples** : integrated M7 aluminum with brake rings
- **Color** : black + 1 white
- **Count** : front 18, rear 20
- **Nipples** : integrated M7 aluminum with brake rings
- **Count** : front 18, rear 20
- **Lacing** : front radial, rear Isopulse
- **Lacing** : front radial, rear Isopulse

WHEEL HUB

- **Front body** : Front oversize carbon with aluminum flanges
- **Front body** : Front oversize carbon with aluminum flanges
- **Rear body** : aluminum
- **Rear body** : aluminum
- **Front and rear axle material** : aluminum
- **Color** : front carbon center tube with white flanges, rear white
- **QRM+**
- **Front and rear axle material** : aluminum
- **FTS-L steel**
- **QRM+**
- **FTS-L steel**

WHEEL WEIGHTS

Wheel weight 790