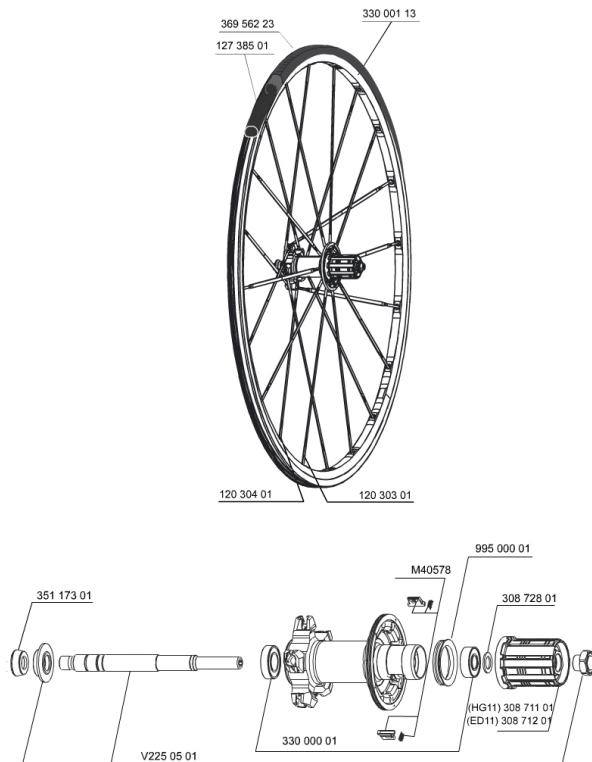


## REFERENCES WHEELS

325693 KSYRIUM SLS ED11 WTS

325692 KSYRIUM SLS M11 WTS



### RIMS



&NBSP;:

33000113 KIT REAR KSYRIUM SLS CLINCHER RIM

### SPOKES

12030301 KIT 10 DS KSYRIUM SL11 BLACK SPOKE 275mm  
12030401 KIT 10 NDS KSYRIUM SL11 BLACK SPOKE 298mm

### HUB SHELLS

V2250501 KIT REAR AXLE KSYRIUM SLE/SLS/ELITE/PRO EXALITH/ALLROAD ELIT  
30872801 SET OF 3 INTERNAL SILVER SPACERS 9mm FTS-L  
30871201 FTS-L ROAD FREEWHEEL BODY ED11 8/9 compatible  
99500001 FTSL/FTSX FREEHUB BODY SEAL  
33000001 REAR HUB B9+6901 BEARINGS 2013  
30871101 FTS-L ROAD FREEWHEEL BODY HG11 8/9 compatible  
M40578 FTSL PAWLS KIT (ROAD WHEELS)

### MAINTENANCE

12738501 Road Innertube Presta 48mm

### ADAPTERS

35117301 FT/RR FORK REST R-SYS/CC ULTIMATE > 2013/KSY PRO CARB T

# MAVIC Ksyrium SLS C

## DELIVERED WITH

BR601 quick releases	
BR601 quick releases	
Computer magnet (front wheel)	
Computer magnet (front wheel)	
Multifonction adjustment wrench	
Multifonction adjustment wrench	
User guide	
User guide	

## Specifications

### RIMS

- **Material** : Mactal
- **Material** : Mactal
- **Height** : front 22 mm, rear 25 mm asymmetrical
- **Color** : black anodized
- **Joint** : SUP
- **Height** : front 22 mm, rear 25 mm asymmetrical
- **Joint** : SUP
- **Drilling** : Fore
- **Brake track** : UB Control
- **Drilling** : Fore
- **Weight reduction** : ISM 3D
- **Brake track** : UB Control
- **Valve hole diameter** : 6.5 mm
- **Tyre** : clincher or tubular
- **Weight reduction** : ISM 3D
- **Valve hole diameter** : 6.5 mm
- **Tyre** : clincher or tubular
- **ETRTO size** : 622x15C
- **ETRTO size** : 622x15C
- **Recommended tyre sizes** : 19 to 32 mm
- **Recommended tyre sizes** : 19 to 32 mm

### SPOKES

- **Material** : Zicral
- **Material** : Zicral
- **Shape** : straight pull, bladed, front double butted
- **Shape** : straight pull, bladed, front double butted
- **Nipples** : integrated M7 aluminum with brake rings
- **Color** : black + 1 white
- **Count** : front 18, rear 20
- **Nipples** : integrated M7 aluminum with brake rings
- **Count** : front 18, rear 20
- **Lacing** : front radial, rear Isopulse
- **Lacing** : front radial, rear Isopulse

### WHEEL HUB

- **Front body** : Front oversize carbon with aluminum flanges
- **Front body** : Front oversize carbon with aluminum flanges
- **Rear body** : aluminum
- **Rear body** : aluminum
- **Front and rear axle material** : aluminum
- **Color** : front carbon center tube with white flanges, rear white
- **QRM+**
- **Front and rear axle material** : aluminum
- **FTS-L steel**
- **QRM+**
- **FTS-L steel**

### WHEEL WEIGHTS

Wheel weight 790