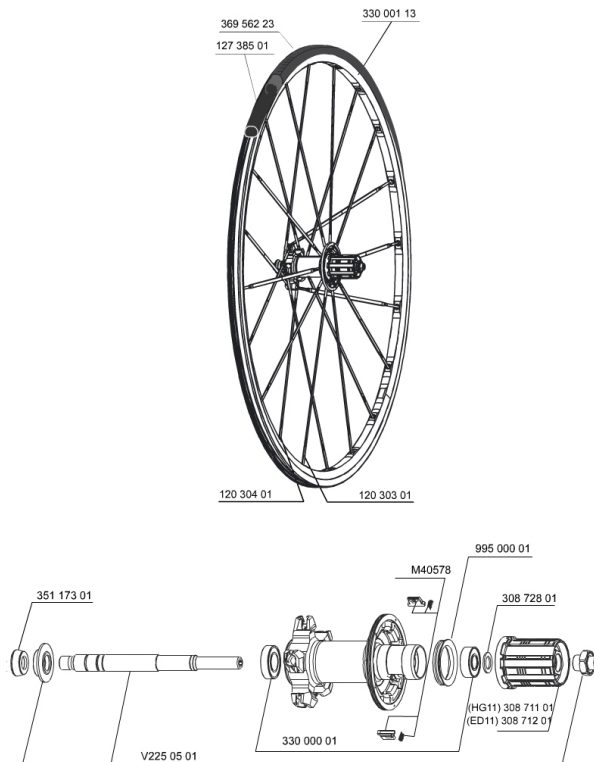


## REFERENCES WHEELS

325693 KSYRIUM SLS ED11 WTS

325692 KSYRIUM SLS M11 WTS



## RIMS



&NBSP;:

33000113 KIT REAR KSYRIUM SLS CLINCHER RIM

## SPOKES

12030401 KIT 10 NDS KSYRIUM SL11 BLACK SPOKE 298mm

12030301 KIT 10 DS KSYRIUM SL11 BLACK SPOKE 275mm

## HUB SHELLS

30871101 FTS-L ROAD FREEWHEEL BODY HG11 8/9 compatible

M40578 FTSL PAWLS KIT (ROAD WHEELS)

V2250501 KIT REAR AXLE KSYRIUM SLE/SL/ELITE/PRO EXALITH/ALLROAD ELIT

30872801 SET OF 3 INTERNAL SILVER SPACERS 9mm FTS-L

30871201 FTS-L ROAD FREEWHEEL BODY ED11 8/9 compatible

99500001 FTSL/FTSX FREEHUB BODY SEAL

33000001 REAR HUB B9+6901 BEARINGS 2013

## MAINTENANCE

12738501 Road Innertube Presta 48mm

## ADAPTERS

35117301 FT/RR FORK REST R-SYS/CC ULTIMATE > 2013/KSY PRO CARB T

**MAVIC** *Ksyrium SLS C***DELIVERED WITH**

BR601 quick releases	
BR601 quick releases	
Computer magnet (front wheel)	
Computer magnet (front wheel)	
Multifonction adjustment wrench	
Multifonction adjustment wrench	
User guide	
User guide	

**Specifications****RIMS**

- **Material** : Mactal
- **Material** : Mactal
- **Height** : front 22 mm, rear 25 mm asymmetrical
- **Color** : black anodized
- **Joint** : SUP
- **Height** : front 22 mm, rear 25 mm asymmetrical
- **Joint** : SUP
- **Drilling** : Fore
- **Brake track** : UB Control
- **Drilling** : Fore
- **Weight reduction** : ISM 3D
- **Valve hole diameter** : 6.5 mm
- **Brake track** : UB Control
- **Tyre** : clincher or tubular
- **Weight reduction** : ISM 3D
- **Valve hole diameter** : 6.5 mm
- **Tyre** : clincher or tubular
- **ETRTO size** : 622x15C
- **ETRTO size** : 622x15C
- **Recommended tyre sizes** : 19 to 32 mm
- **Recommended tyre sizes** : 19 to 32 mm

**SPOKES**

- **Material** : Zicral
- **Material** : Zicral
- **Shape** : straight pull, bladed, front double butted
- **Shape** : straight pull, bladed, front double butted
- **Nipples** : integrated M7 aluminum with brake rings
- **Color** : black + 1 white
- **Count** : front 18, rear 20
- **Nipples** : integrated M7 aluminum with brake rings
- **Count** : front 18, rear 20
- **Lacing** : front radial, rear Isopulse
- **Lacing** : front radial, rear Isopulse

**WHEEL HUB**

- **Front body** : Front oversize carbon with aluminum flanges
- **Front body** : Front oversize carbon with aluminum flanges
- **Rear body** : aluminum
- **Rear body** : aluminum
- **Color** : front carbon center tube with white flanges, rear white
- **Front and rear axle material** : aluminum QRM+
- **Front and rear axle material** : aluminum FTS-L steel QRM+
- **Front and rear axle material** : aluminum FTS-L steel

**WHEEL WEIGHTS**

Wheel weight 790