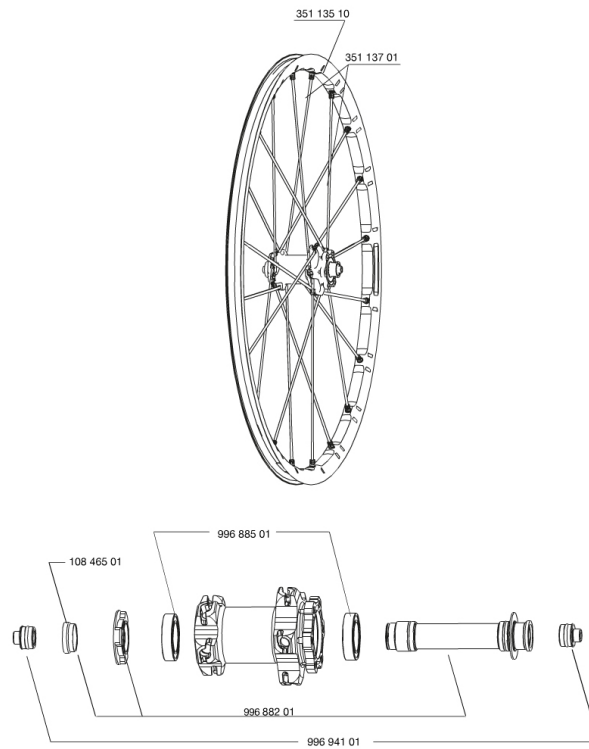


REFERENCES WHEELS

326598 CROSSMAX SLR 29 D6IFRT



RIMS



&NBSP;:

35113510	"KIT FRONT CROSSMAX SLR 29"" RIM"
----------	-----------------------------------

SPOKES

35113701	"KIT 10 FT/NDS M7/7 XMAX SLR 29"" SPK 299,5mm"
----------	--

HUB SHELLS

99688501	BEARING KIT 9/12/15 D6T HUB 20x32x7 6804
99688201	9/15 6B FRT AXLE CROSSMAX/KSY PRO CARBON SL C
10846501	FRONT FORK SUPPORT FOR 15mm AXLE

ADAPTERS

99694101	ADAPTER Ft 15 to 9mm QR
----------	-------------------------

MAVIC *Crossmax SLR 29***DELIVERED WITH**

BX601 quick releases	
Wheelbags	
UST valve and accessories	
Front QR adapters	
Rear QR adapters	
Rear 12x142mm adapters	
Specific disc bolts	
Computer magnet (front wheel)	
Multifonction adjustment wrench	
User guide	

Specifications**RIMS**

- **Material** : Mactal
 - **Color** : Double anodization, black rim, silver ISM
 - **Joint** : SUP
 - **Drilling** : Fore
- Disc brake specific profile
- **Weight reduction** : ISM 3D
 - **Valve hole diameter** : 6.5 mm
 - **Tyre** : UST Tubeless and tubetype
 - **Internal width** : 19 mm, asymmetrical
 - **ETRTO size** : 622x19C
 - **Recommended tyre sizes** : 1.5 to 2.3

SPOKES

- **Material** : Zicral
- **Shape** : straight pull, bladed
- **Color** : black + 1 half black / half white
- **Nipples** : integrated M7 aluminum with brake rings
- **Count** : 20 front and rear
- **Lacing** : front crossed 2, rear Isopulse

WHEEL HUB

- **Front and rear bodies** : oversize aluminum
 - **Color** : white
 - **Front and rear axle material** : aluminum
- QRM+
ITS-4 alloy

WHEEL WEIGHTS

Wheel weight 755