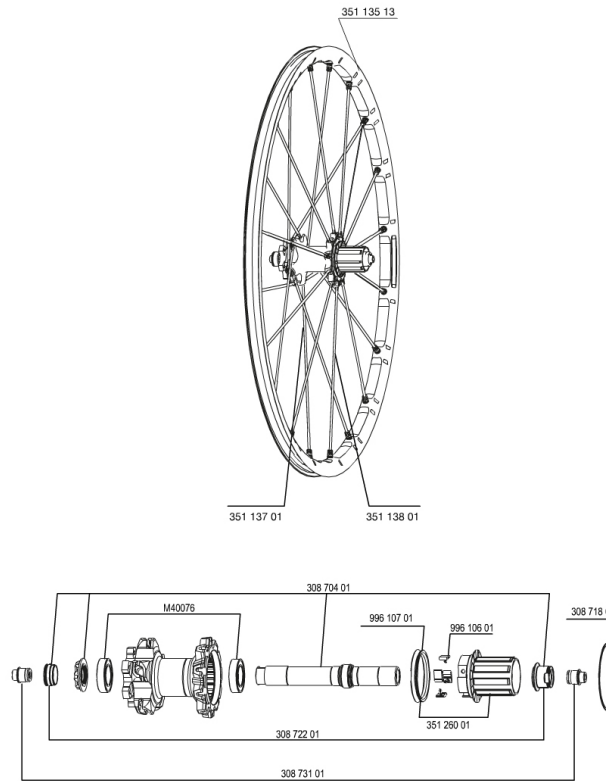


REFERENCES WHEELS

326599 CROSSMAX SLR 29 D61REAR



RIMS



&NBSP;:

35113513	"KIT REAR CROSSMAX SLR 29"" RIM"
----------	----------------------------------

SPOKES

35113801	"KIT 10 DS M7/7 XMAX SLR/PRO 29"" SPK 269,5mm"
35113701	"KIT 10 FT/NDS M7/7 XMAX SLR 29"" SPK 299,5mm"

HUB SHELLS

30870401	REAR QRM + AXLE KIT ITS4 135mm from 2012
M40076	HUB BEARINGS 17x30x7 6903 x 2
99610701	ITS-4 FREEWHEEL SEAL
35126001	ITS-4 FREEWHEEL BODY + SEAL 2013 (NO PAWLS)
30871801	ELASTIC RING 56mm diam. ITS-4 20 SPOKES
99610601	PAWLS KIT FOR ITS-4 (OR TS-2)

ADAPTERS

30873101	2 REAR REDUCERS 12/9,5mm 2012 ITS4 HUB
30872201	FRAME SUPPORT ITS-4 135mm REAR AXLE > 2012

MAVIC *Crossmax SLR 29***DELIVERED WITH**

BX601 quick releases	
Wheelbags	
UST valve and accessories	
Front QR adapters	
Rear QR adapters	
Rear 12x142mm adapters	
Specific disc bolts	
Computer magnet (front wheel)	
Multifonction adjustment wrench	
User guide	

Specifications**RIMS**

- **Material** : Mactal
 - **Color** : Double anodization, black rim, silver ISM
 - **Joint** : SUP
 - **Drilling** : Fore
- Disc brake specific profile
- **Weight reduction** : ISM 3D
 - **Valve hole diameter** : 6.5 mm
 - **Tyre** : UST Tubeless and tubetype
 - **Internal width** : 19 mm, asymmetrical
 - **ETRTO size** : 622x19C
 - **Recommended tyre sizes** : 1.5 to 2.3

SPOKES

- **Material** : Zicral
- **Shape** : straight pull, bladed
- **Color** : black + 1 half black / half white
- **Nipples** : integrated M7 aluminum with brake rings
- **Count** : 20 front and rear
- **Lacing** : front crossed 2, rear Isopulse

WHEEL HUB

- **Front and rear bodies** : oversize aluminum
 - **Color** : white
 - **Front and rear axle material** : aluminum
- QRM+
ITS-4 alloy

WHEEL WEIGHTS

Wheel weight 865