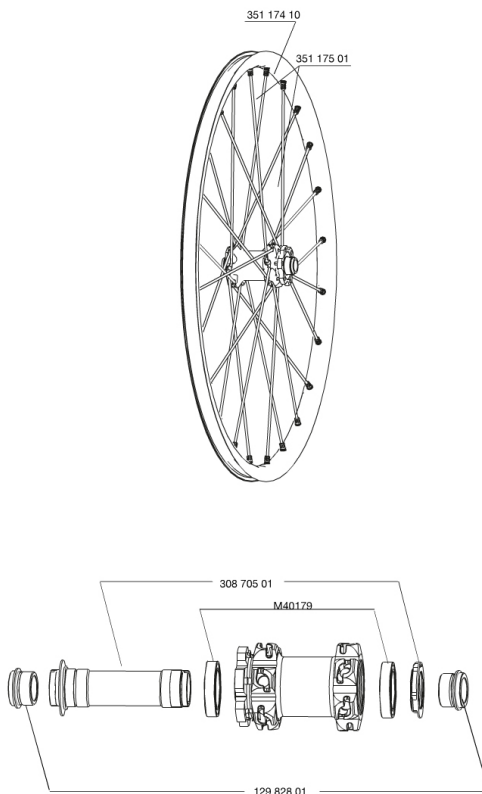


## REFERENCES WHEELS

327909 CROSSMAX ST 29 D6t FRT 15mm



### RIMS



&NBSP;:

35117410 "KIT FRONT CROSSMAX ST 29"" RIM"

### SPOKES

35117501 "KIT 12 FT M7/7 CROSSMAX ST 29"" SPK 292,5mm"

### HUB SHELLS

M40179 FRONT BEARING 25x37x7 20mm AXLE

30870501 FRONT AXLE 20mm CROSSMAX + DEEMAX ULTI 2012

### ADAPTERS

12982801 ADAPTER Ft 20 to 15mm

**MAVIC** *Crossmax ST 29***DELIVERED WITH**

BX601 rear quick release	
UST valve and accessories	
Front 15 mm adapters	
Rear QR adapters	
Rear 12x142mm adapters	
Specific disc bolts	
Computer magnet (front wheel)	
Multifunction adjustment wrench	
User guide	

**Specifications****RIMS**

- **Material** : Mactal
  - **Color** : black anodized
  - **Joint** : SUP
  - **Drilling** : Fore
- Disc brake specific profile
- **Weight reduction** : ISM
  - **Valve hole diameter** : 6.5 mm
  - **Tyre** : UST Tubeless and tubetype
  - **Internal width** : 19 mm
  - **Internal width** : 19 mm, asymmetrical
  - **ETRTO size** : 622x19C
  - **Recommended tyre sizes** : 1.5 to 2.3

**SPOKES**

- **Material** : Zicral
- **Shape** : straight pull, round
- **Color** : black + 1 half black / half white
- **Nipples** : integrated M7 aluminum with brake rings
- **Count** : 24 front and 20 rear
- **Lacing** : front crossed 2, rear Isopulse

**WHEEL HUB**

- **Front and rear bodies** : oversize aluminum
- **Color** : white
- **Front and rear axle material** : aluminum QRM+ ITS-4 alloy

**WHEEL WEIGHTS**

Wheel weight 825