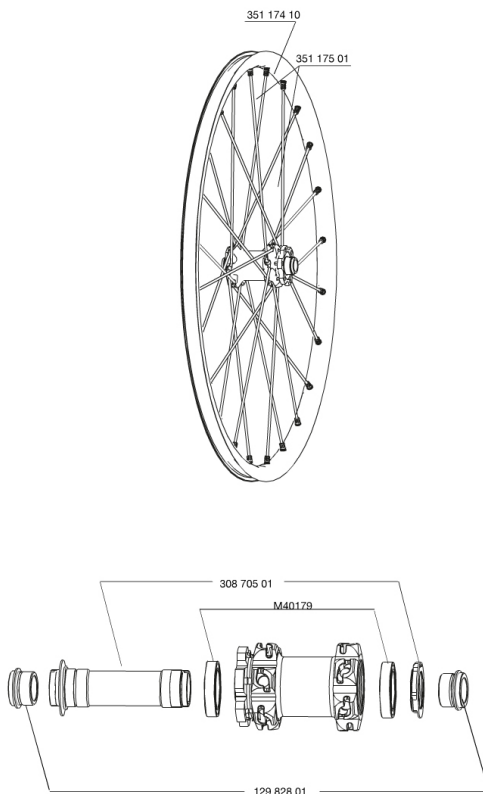


REFERENCES WHEELS

327909 CROSSMAX ST 29 D6t FRT 15mm



RIMS



&NBSP;:

35117410 "KIT FRONT CROSSMAX ST 29"" RIM"

SPOKES

35117501 "KIT 12 FT M7/7 CROSSMAX ST 29"" SPK 292,5mm"

HUB SHELLS

M40179 FRONT BEARING 25x37x7 20mm AXLE

30870501 FRONT AXLE 20mm CROSSMAX + DEEMAX ULTI 2012

ADAPTERS

12982801 ADAPTER Ft 20 to 15mm

MAVIC *Crossmax ST 29***DELIVERED WITH**

BX601 rear quick release	
UST valve and accessories	
Front 15 mm adapters	
Rear QR adapters	
Rear 12x142mm adapters	
Specific disc bolts	
Computer magnet (front wheel)	
Multifunction adjustment wrench	
User guide	

Specifications**RIMS**

- **Material** : Mactal
 - **Color** : black anodized
 - **Joint** : SUP
 - **Drilling** : Fore
- Disc brake specific profile
- **Weight reduction** : ISM
 - **Valve hole diameter** : 6.5 mm
 - **Tyre** : UST Tubeless and tubetype
 - **Internal width** : 19 mm, asymmetrical
 - **Internal width** : 19 mm
 - **ETRTO size** : 622x19C
 - **Recommended tyre sizes** : 1.5 to 2.3

SPOKES

- **Material** : Zicral
- **Shape** : straight pull, round
- **Color** : black + 1 half black / half white
- **Nipples** : integrated M7 aluminum with brake rings
- **Count** : 24 front and 20 rear
- **Lacing** : front crossed 2, rear Isopulse

WHEEL HUB

- **Front and rear bodies** : oversize aluminum
- **Color** : white
- **Front and rear axle material** : aluminum QRM+ ITS-4 alloy

WHEEL WEIGHTS

Wheel weight 825