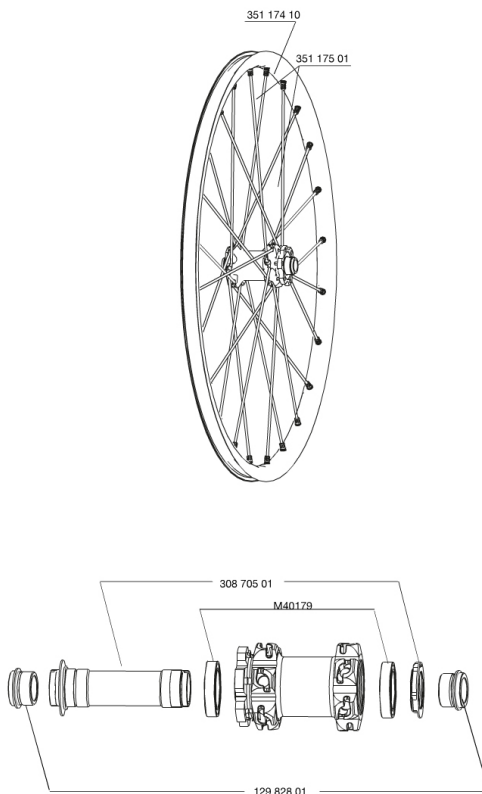


REFERENCES WHEELS

327909 CROSSMAX ST 29 D6t FRT 15mm



RIMS



&NBSP;:

35117410 "KIT FRONT CROSSMAX ST 29"" RIM"

SPOKES

35117501 "KIT 12 FT M7/7 CROSSMAX ST 29"" SPK 292,5mm"

HUB SHELLS

M40179 FRONT BEARING 25x37x7 20mm AXLE

30870501 FRONT AXLE 20mm CROSSMAX + DEEMAX ULTI 2012

ADAPTERS

12982801 ADAPTER Ft 20 to 15mm

MAVIC *Crossmax ST 29***DELIVERED WITH**

| | |
|---------------------------------|--|
| BX601 rear quick release | |
| UST valve and accessories | |
| Front 15 mm adapters | |
| Rear QR adapters | |
| Rear 12x142mm adapters | |
| Specific disc bolts | |
| Computer magnet (front wheel) | |
| Multifonction adjustment wrench | |
| User guide | |

Specifications**RIMS**

- **Material** : Mactal
 - **Color** : black anodized
 - **Joint** : SUP
 - **Drilling** : Fore
- Disc brake specific profile
- **Weight reduction** : ISM
 - **Valve hole diameter** : 6.5 mm
 - **Tyre** : UST Tubeless and tubetype
 - **Internal width** : 19 mm, asymmetrical
 - **Internal width** : 19 mm
 - **ETRTO size** : 622x19C
 - **Recommended tyre sizes** : 1.5 to 2.3

SPOKES

- **Material** : Zicral
- **Shape** : straight pull, round
- **Color** : black + 1 half black / half white
- **Nipples** : integrated M7 aluminum with brake rings
- **Count** : 24 front and 20 rear
- **Lacing** : front crossed 2, rear Isopulse

WHEEL HUB

- **Front and rear bodies** : oversize aluminum
 - **Color** : white
 - **Front and rear axle material** : aluminum QRM+
- ITS-4 alloy

WHEEL WEIGHTS

Wheel weight 825