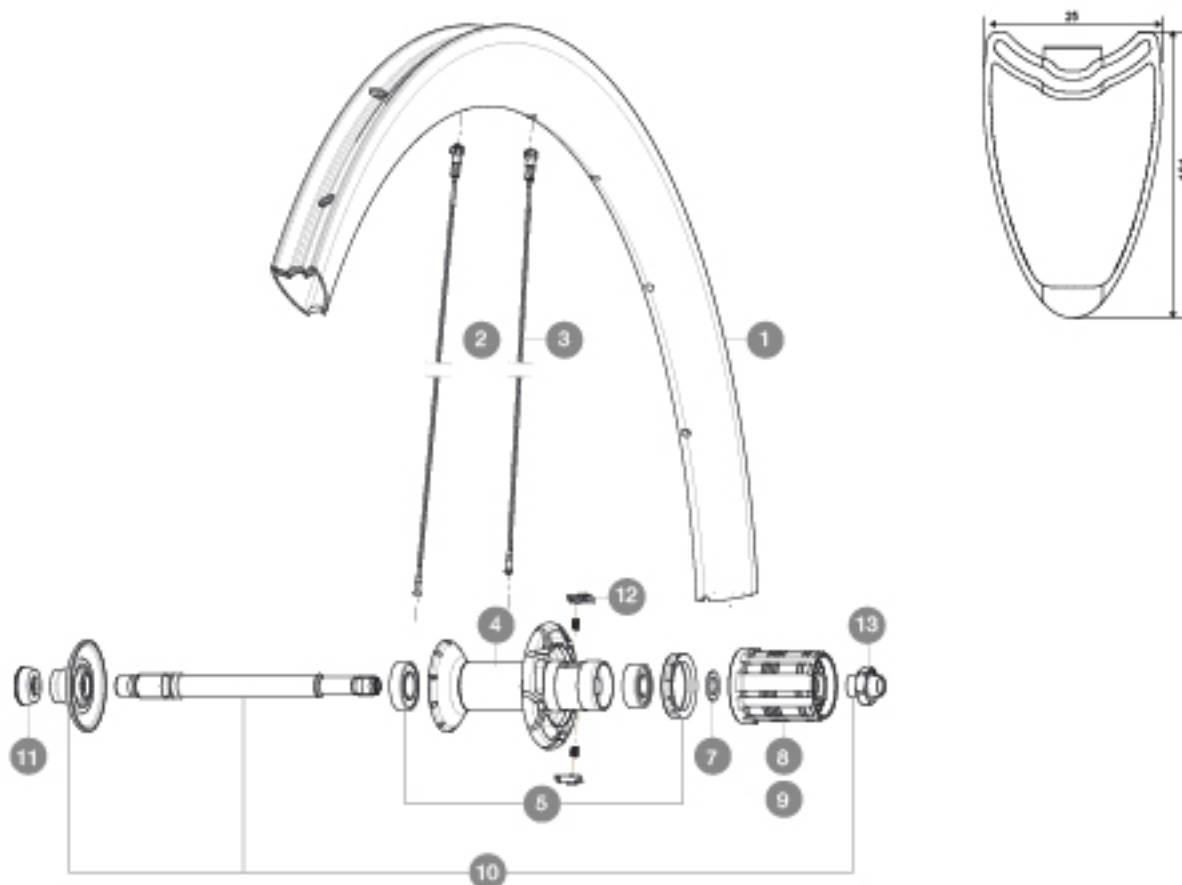


## REFERENCES WHEELS

328185 COSMIC CARBONE 40 Tub ED11 WTS 328184 COSMIC CARBONE 40 Tub M11 WTS



## RIMS



&NBSP::

1 36645613 KIT REAR RIM CC 40 TUBULAR

## SPOKES

2 36645101 KIT 10 AERO FT/ND5 CC 40 T BLACK SPOKE 272mm  
3 36645001 KIT 10 AERO DS CC 40 T BLACK SPOKE 270mm

## HUB SHELLS

4 N/A HUB BODY  
5 33000001 REAR HUB B9+6901 BEARINGS 2013  
6 99500001 FTSL/FTSX FREEHUB BODY SEAL  
7 30872801 SET OF 3 INTERNAL SILVER SPACERS 9mm FTS-L  
8 30871101 FTS-L ROAD FREEWHEEL BODY HG11 8/9 compatible  
9 30871201 FTS-L ROAD FREEWHEEL BODY ED11 8/9 compatible  
10 V2250301 KIT REAR AXLE AERO HUB CXR/CC40/CC SLS/CC SLE/COSMIC PRO CAR  
12 M40578 FTSL PAWLS KIT (ROAD WHEELS)  
13 V2373101 KIT NUT FOR ROAD ALLOY THROUGH AXLE 9mm

## ADAPTERS

11 35117301 FT/RR FORK REST R-SYS/CC ULTIMATE > 2013/KSY PRO CARB T

**MAVIC** *Cosmic Carbone 40 T***DELIVERED WITH**

BR601 quick releases	
Wheelbags	
Carbon brake pads	
Computer magnet (front wheel)	
Multifonction adjustment wrench	
User guide	

**Specifications****RIMS**

- **Material** : 100% Unidirectional carbon fiber
- **Height** : 40 mm
- **Drilling** : traditional
- **Brake track** : carbon
- **Valve hole diameter** : 6.5 mm
- **Tyre** : tubular
- **ETRTO size** : 28" tubular
- **Recommended tyre sizes** : 19 to 32 mm

**SPOKES**

- **Material** : steel
- **Shape** : straight pull, bladed, double butted
- **Nipples** : brass, ABS
- **Count** : front 16, rear 20
- **Lacing** : radial front and rear non-drive side, crossed 2 rear drive side

**WHEEL HUB**

- **Front and rear bodies** : carbon center tube and aluminum flanges
- **Axle material** : aluminum  
Adjustable sealed cartridge bearings
- **Freewheel** : FTS-L steel

**WHEEL WEIGHTS**

Wheel weight 800