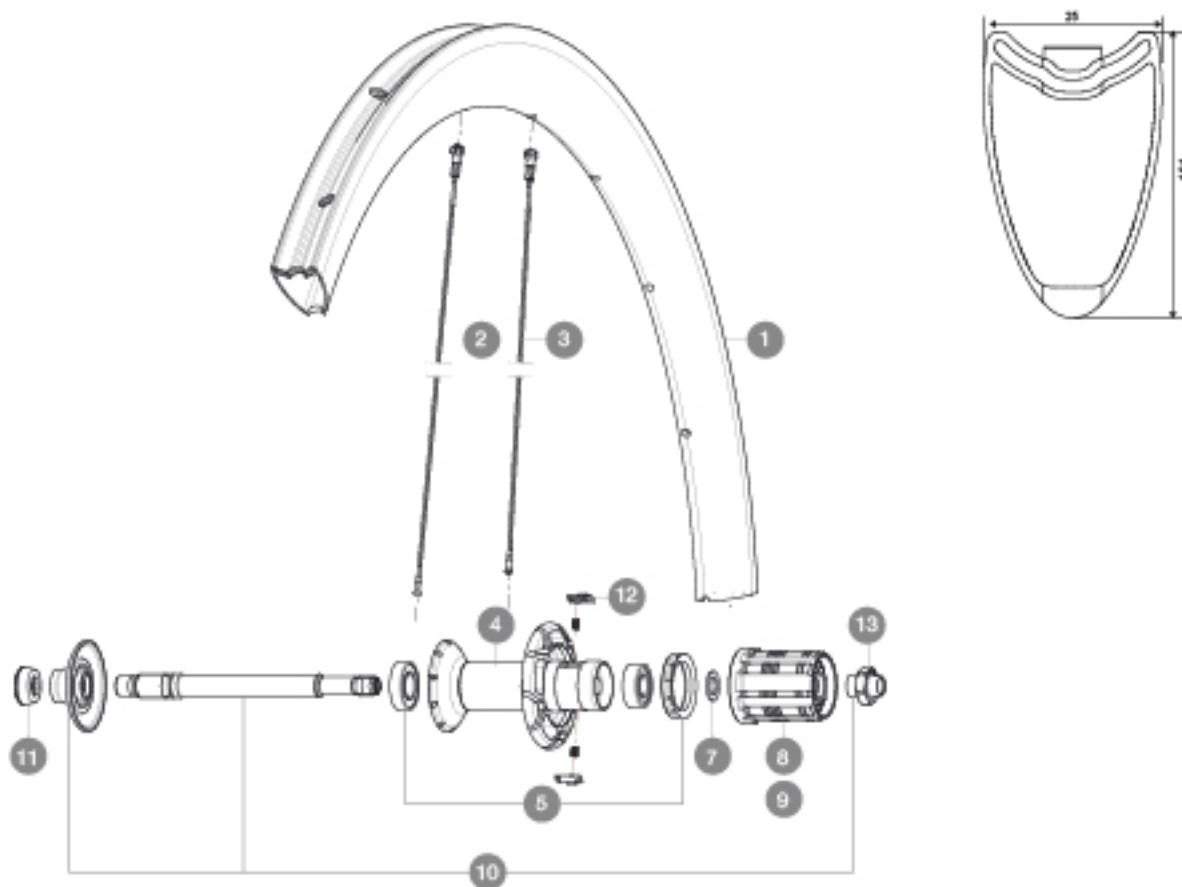


REFERENCES WHEELS

328185 COSMIC CARBONE 40 Tub ED11 WTS 328184 COSMIC CARBONE 40 Tub M11 WTS



RIMS



&NBSP;:

1 36645613 KIT REAR RIM CC 40 TUBULAR

SPOKES

2 36645101 KIT 10 AERO FT/ND5 CC 40 T BLACK SPOKE 272mm
3 36645001 KIT 10 AERO DS CC 40 T BLACK SPOKE 270mm

HUB SHELLS

4 N/A HUB BODY
5 33000001 REAR HUB B9+6901 BEARINGS 2013
6 99500001 FTSL/FTSX FREEHUB BODY SEAL
7 30872801 SET OF 3 INTERNAL SILVER SPACERS 9mm FTS-L
8 30871101 FTS-L ROAD FREEWHEEL BODY HG11 8/9 compatible
9 30871201 FTS-L ROAD FREEWHEEL BODY ED11 8/9 compatible
10 V2250301 KIT REAR AXLE AERO HUB CXR/CC40/CC SLS/CC SLE/COSMIC PRO CAR
12 M40578 FTSL PAWLS KIT (ROAD WHEELS)
13 V2373101 KIT NUT FOR ROAD ALLOY THROUGH AXLE 9mm

ADAPTERS

11 35117301 FT/RR FORK REST R-SYS/CC ULTIMATE > 2013/KSY PRO CARB T

MAVIC *Cosmic Carbone 40 T***DELIVERED WITH**

| | |
|---------------------------------|--|
| BR601 quick releases | |
| Wheelbags | |
| Carbon brake pads | |
| Computer magnet (front wheel) | |
| Multifonction adjustment wrench | |
| User guide | |

Specifications**RIMS**

- **Material** : 100% Unidirectional carbon fiber
- **Height** : 40 mm
- **Drilling** : traditional
- **Brake track** : carbon
- **Valve hole diameter** : 6.5 mm
- **Tyre** : tubular
- **ETRTO size** : 28" tubular
- **Recommended tyre sizes** : 19 to 32 mm

SPOKES

- **Material** : steel
- **Shape** : straight pull, bladed, double butted
- **Nipples** : brass, ABS
- **Count** : front 16, rear 20
- **Lacing** : radial front and rear non-drive side, crossed 2 rear drive side

WHEEL HUB

- **Front and rear bodies** : carbon center tube and aluminum flanges
- **Axle material** : aluminum
Adjustable sealed cartridge bearings
- **Freewheel** : FTS-L steel

WHEEL WEIGHTS

Wheel weight 800