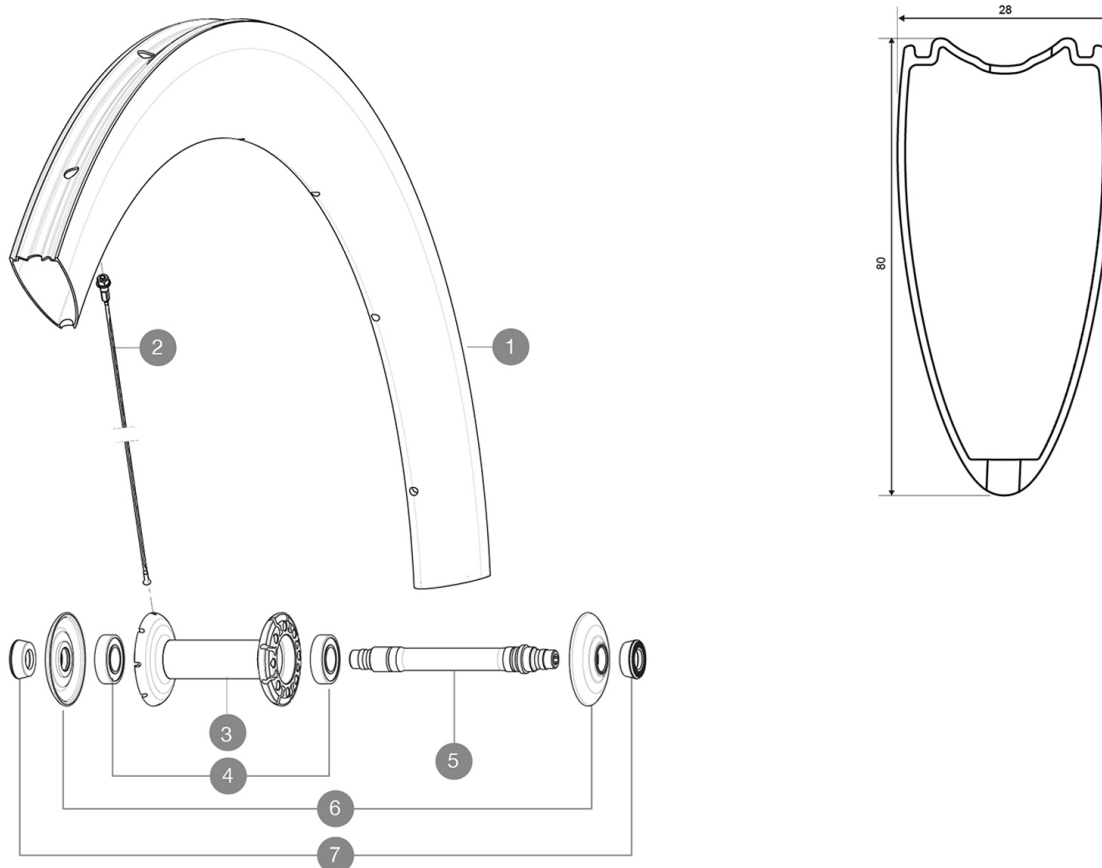


参照ホイール

352081 COSMIC CXR 60 Tub FRT WTS



RIMS



&NBSP;:

1	32979310	KIT FRONT RIM CXR 60 TUBULAR - while stock last
1	V2403510	FRONT RIM CXR60T MY16

SPOKES

2	32979601	10 BLK AERO SPOKES FRONT/NON DRIVE SIDE CXR 60 T 255mm
---	----------	--

HUB SHELLS

3	N/A	HUB BODY
4	M40078	FRONT HUB 6901 BEARINGS
5	30870001	FRONT AXLE ROAD RIM BRAKING QRM +
6	32985701	HUB CAP & ADJUST.NUT CXR 80

ADAPTERS

7	35117301	FRONT OR REAR FORK REST KIT R-SYS 2013
---	----------	--

MAVIC Cosmic CXR 60 T

付属品

BR601 Â¿Â¿Â¿Â¿Â¿Â¿Â¿Â¿Â¿Â¿Â¿Â¿Â¿	
Â¿Â¿Â¿Â¿Â¿Â¿Â¿	
CXRÂ¿Â¿Â¿Â¿Â¿Â¿Â¿Â¿Â¿Â¿Â¿Â¿Â¿	
Â¿Â¿Â¿Â¿Â¿Â¿Â¿Â¿Â¿Â¿Â¿	
Â¿Â¿Â¿Â¿Â¿Â¿Â¿	
Â¿Â¿Â¿Â¿Â¿Â¿Â¿	

Specifications

リム

Â¿Â¿Â¿ 100% 3K Â¿Â¿Â¿Â¿Â¿Â¿Â¿Â¿Â¿Â¿
 •Â¿Â¿Â¿ : 60 mmÂ¿Â¿Â¿Â¿ 27 mm Â¿
 CX01Â¿Â¿Â¿
 Â¿Â¿Â¿Â¿Â¿Â¿Â¿ Â¿Â¿Â¿Â¿Â¿Â¿
 Â¿Â¿Â¿Â¿Â¿Â¿ Â¿Â¿Â¿
 Â¿Â¿Â¿Â¿Â¿Â¿ 6.5 mm
 Â¿Â¿Â¿Â¿Â¿
 ETRTO Â¿Â¿Â¿ 28" Â¿Â¿Â¿
 Â¿Â¿Â¿Â¿Â¿Â¿ 23 mm

スポーク

Â¿Â¿Â¿Â¿Â¿
 Â¿Â¿Â¿ Â¿Â¿Â¿Â¿Â¿Â¿Â¿
 Â¿Â¿Â¿
 Â¿Â¿Â¿
 ABSÂ¿Â¿Â¿
 Â¿Â¿Â¿ 16Â¿Â¿ 20Â¿
 Â¿Â¿Â¿Â¿Â¿
 Â¿Â¿/2Â¿

ホイールハブ

Â¿Â¿Â¿/Â¿Â¿
 Â¿Â¿
 /Â¿Â¿
 Â¿Â¿
 Â¿
 QRM+
 FTS-LÂ¿

ホイールの重み

ホイール重量 (クイックリリー
 スおよびクリンチャー/チュー
 ブラーを除く) (g) : 710