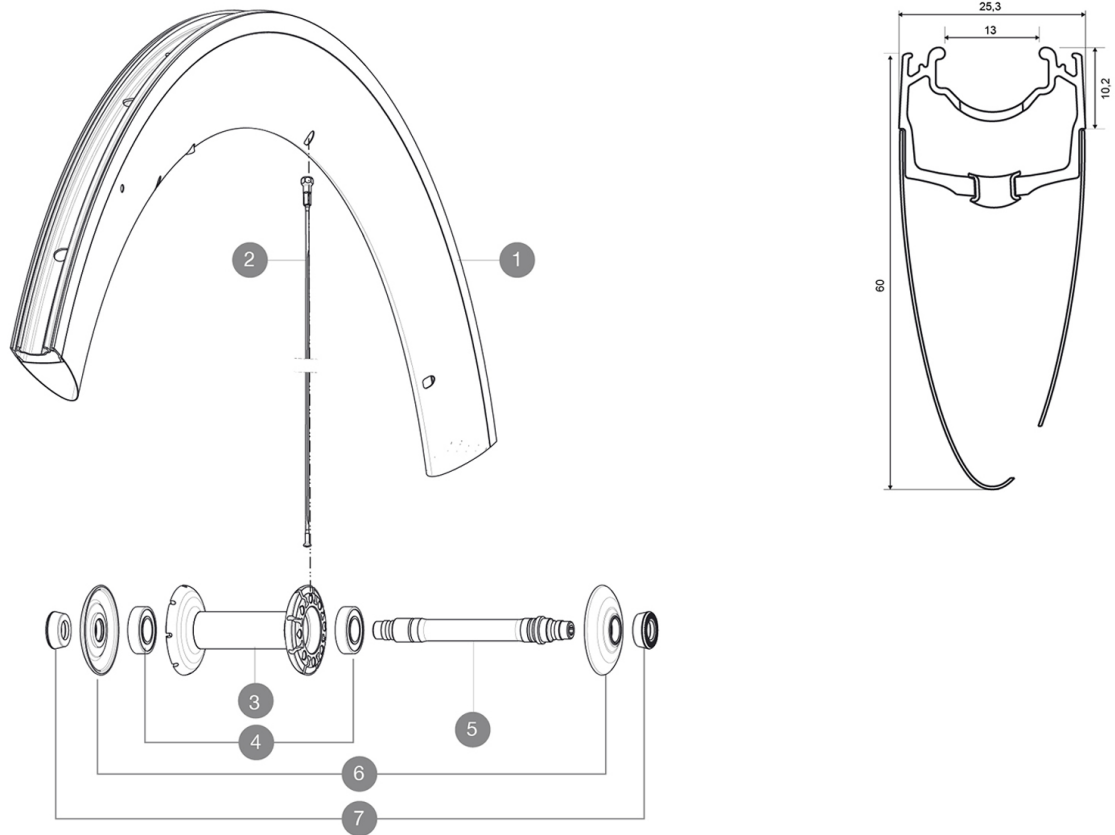


## REFERENCES WHEELS

354675 COSMIC CXR 60 C FRT WTS



### RIMS



&NBSP;:

1	V2403710	KIT FRONT RIM CXR60C 2016
---	----------	---------------------------

### SPOKES

2	32976801	KIT 10 AERO FT/NDS CXR 60 C BLK SPOKE 289mm
---	----------	---

### HUB SHELLS

3	N/A	HUB BODY
4	M40078	FRONT HUB BEARINGS 6901 x 2
5	30870001	FRONT AXLE ROAD RIM BRAKING QRM +
6	32985701	HUB CAP & ADJUSTING NUT CXR 80

### ADAPTERS

7	35117301	FT/RR FORK REST R-SYS/CC ULTIMATE > 2013/KSY PRO CARB T
---	----------	---

**MAVIC** *Cosmic CXR 60 C***DELIVERED WITH**

BR601 quick releases	
Rim tape	
Wheelbags	
CXR specific Exalith brake pads	
Valve extender	
Multifunction adjustment wrench	
User guide	

**Specifications****RIMS**

- **Material** : 100% woven 3K carbon fiber
- **Height** : 60 mm, Width 27 mm with CX01 groves
- **Joint** : SUP
- **Drilling** : traditional
- **Brake track** : Exalith 2
- **Weight reduction** : ISM
- **Valve hole diameter** : 6.5 mm
- **Tyre** : clincher
- **ETRTO size** : 622x13C
- **Recommended tyre size** : 23 mm

**SPOKES**

- **Material** : steel
- **Shape** : straight pull, bladed, double butted
- **Nipples** : aluminum, ABS
- **Count** : front 16, rear 20
- **Lacing** : radial front and rear non-drive side, crossed 2 rear drive side

**WHEEL HUB**

- **Front and rear bodies** : carbon center tube and aluminum flanges
- **Axle material** : aluminum
- Adjustable sealed cartridge bearings
- **Freewheel** : FTS-L steel

**WHEEL WEIGHTS**

Wheel weight 820