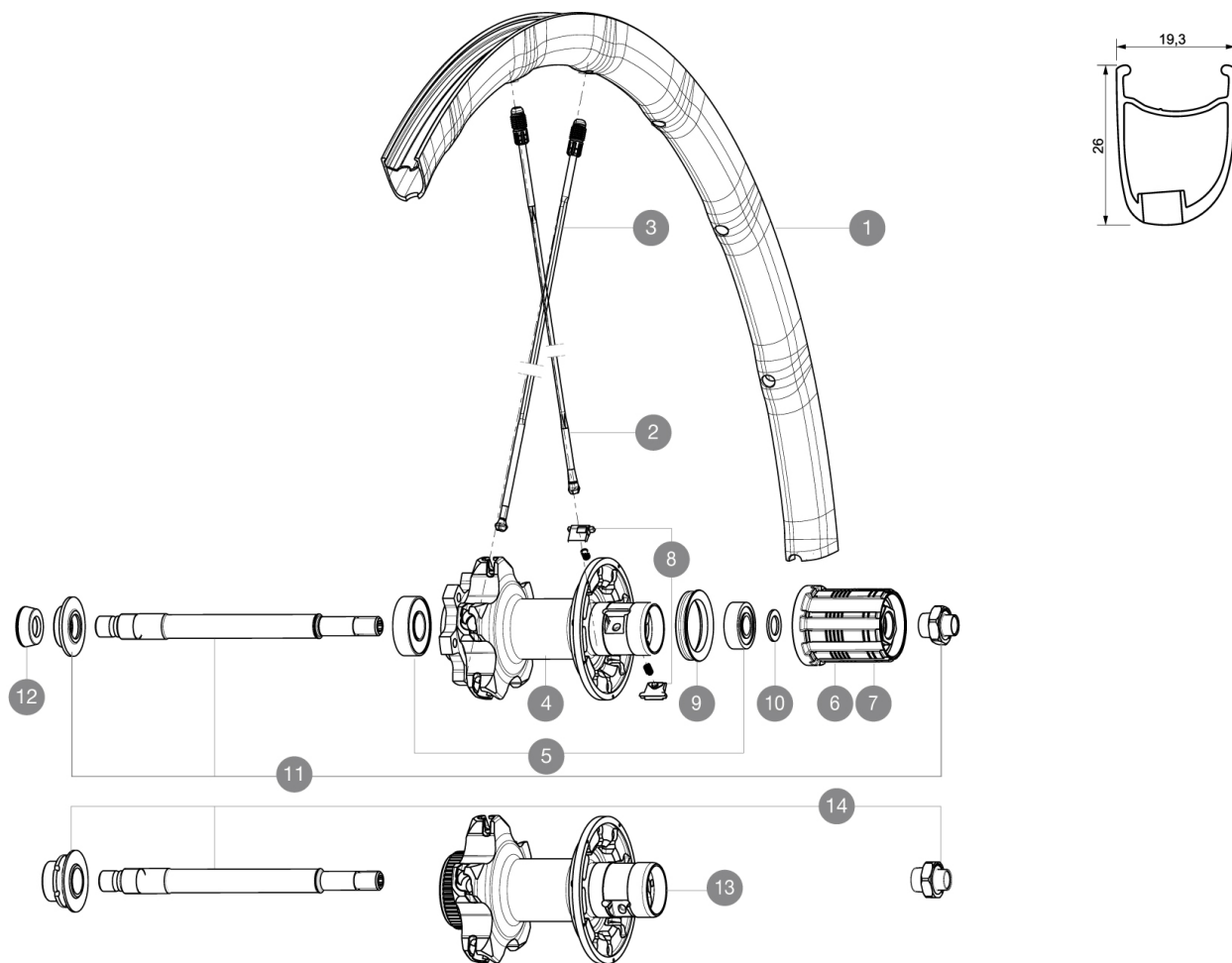


REFERENCES WHEELS

R37201 Ksyrium Pro Disc Rr CL

R16501 Ksyrium Pro Disc Rr INT



RIMS



VALVE HOLE \bar{A} (MM): 6.5 :

1 V2290613 KIT REAR RIM KSYRIUM PRO DISC

SPOKES

2 V2270501 KIT 12 DS KSY PRO/PRO DISC/SL C/PRO EXA SPK 273,5mm
3 12029401 KIT 10 DS R-SYS SL/SLR CLINC BLK SPK 294,5mm

HUB SHELLS

4 N/A HUB BODY
5 V2540101 REAR HUB B9+6001 BEARINGS 2015
6 30871101 FTS-L ROAD FREEWHEEL BODY HG11 8/9 compatible
7 30871201 FTS-L ROAD FREEWHEEL BODY ED11 8/9 compatible
8 M40578 FTSL PAWLS KIT (ROAD WHEELS)
9 99500001 FTSL/FTSX FREEHUB BODY SEAL
10 30872801 SET OF 3 INTERNAL SILVER SPACERS 9mm FTS-L
11 V2250601 KIT REAR AXLE KSYRIUM PRO DISC 6T
13 N/A HUB BODY
14 V2250401 KIT REAR AXLE KSYRIUM PRO DISC CL

ADAPTERS

12 35117301 FT/RR FORK REST R-SYS/CC ULTIMATE > 2013/KSY PRO CARB T

MAVIC Ksyrium Pro Disc

DELIVERED WITH

BX601 quick releases	
Front QR adapters	
Specific disc bolts	
Computer magnet (front wheel)	
Multifonction adjustment wrench	
User guide	

Specifications

RIMS

- **Material** : Mxtral
 - **Height** : 26mm, asymmetrical
 - **Joint** : SUP
 - **Drilling** : Fore
- Disc brake specific profile
- **Weight reduction** : ISM4D
 - **Valve hole diameter** : 6.5 mm
 - **Tyre** : clincher
 - **ETRTO size** : 622x15C
 - **Recommended tyre sizes** : 19 to 32 mm

SPOKES

- **Material** : Zicral
- **Shape** : straight pull, bladed
- **Nipples** : Fore integrated aluminum
- **Count** : 20 front and rear
- **Lacing** : front crossed 2, rear Isopulse

WHEEL HUB

- **Front body** : carbon with aluminum flanges
 - **Rear body** : aluminum
 - **Axle material** : aluminum
- Adjustable sealed cartridge bearings
- **Freewheel** : FTS-L steel

WHEEL WEIGHTS

Wheel weight 855