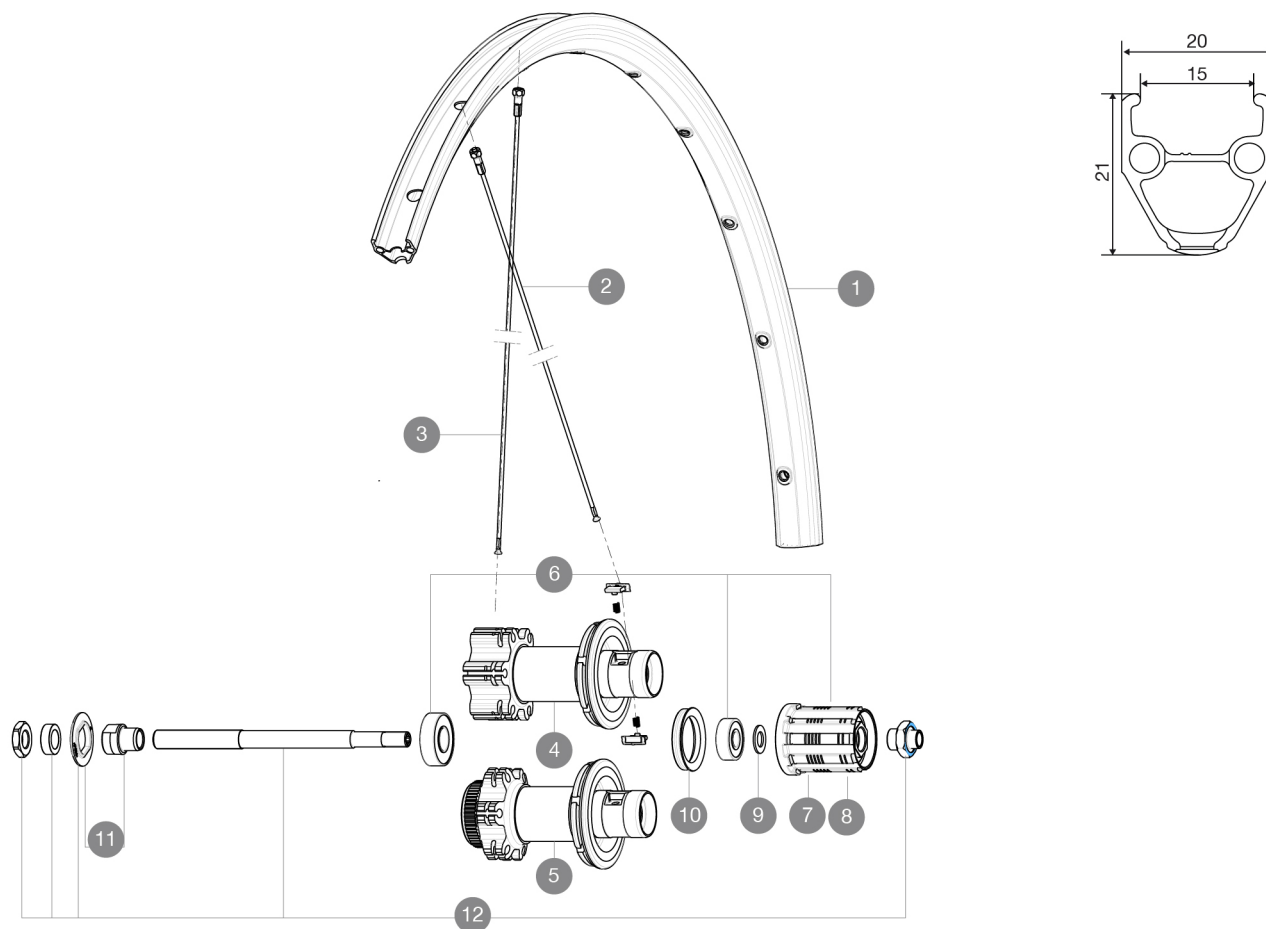


参照ホイール

R37501 Aksium One Disc Rr CL

R19801 Aksium One Disc Rr INT



RIMS



バルブ穴径 (MM) : 6.5 :

1	V2290815	KIT FRONT/REAR RIM AKSIUM ONE DISC
---	----------	------------------------------------

SPOKES

2	36690301	"12 SPOKES FRONT/OPP DRIVE SIDE CROSSONE 29"" 296mm"
3	36690401	"12 SPOKES DRIVE SIDE CROSSRONE 29"" 294mm"

HUB SHELLS

4	N/A	HUB BODY
6	M40660	REAR HUB 608+6001 BEARINGS
7	30871101	FTS-L FREEWHEEL BODY HG11 2013 (8 or 9mm axle compatible)
8	30871201	FTS-L FREEWHEEL BODY ED11 2013 (8 or 9mm axle compatible)
9	M40067	10 SPACERS FRW/HUB BODY
10	99500001	FTSL/FTSX FREEHUB BODY SEAL
11	32348401	EXPANSIBLE BEARINGS SUPPORT
12	32348001	DISC REAR AXLE XLAND/XMAX ENDU



Aksium One Disc

付属品

BR101 quick releases	
Rim tape	
Front QR adapters	
User guide	

Specifications

リム

- Material : S6000 Aluminum
- Height : 22mm
- Joint : pinned
- Drilling : traditional with H2 reinforcement
- Disc brake specific profile
- Valve hole diameter : 6.5 mm
- Tyre : clincher
- ETRTO size : 622x17C
- Recommended tyre sizes : 25 to 52 mm

スポーク

- Material : steel
- Shape : straight pull, round
- Nipples : brass, ABS
- Count : 24 front and rear
- Lacing : front and rear crossed 2

ホイールハブ

- Front and rear bodies : aluminum
- Body : aluminum
- Axle material : front aluminum, rear steel
- Sealed cartridge bearings
- Freewheel : FTS-L steel

ホイールの重み

ホイール重量 (クイックリリー
スおよびクリンチャー/チュー
ブラーを除く) (g) : 1075