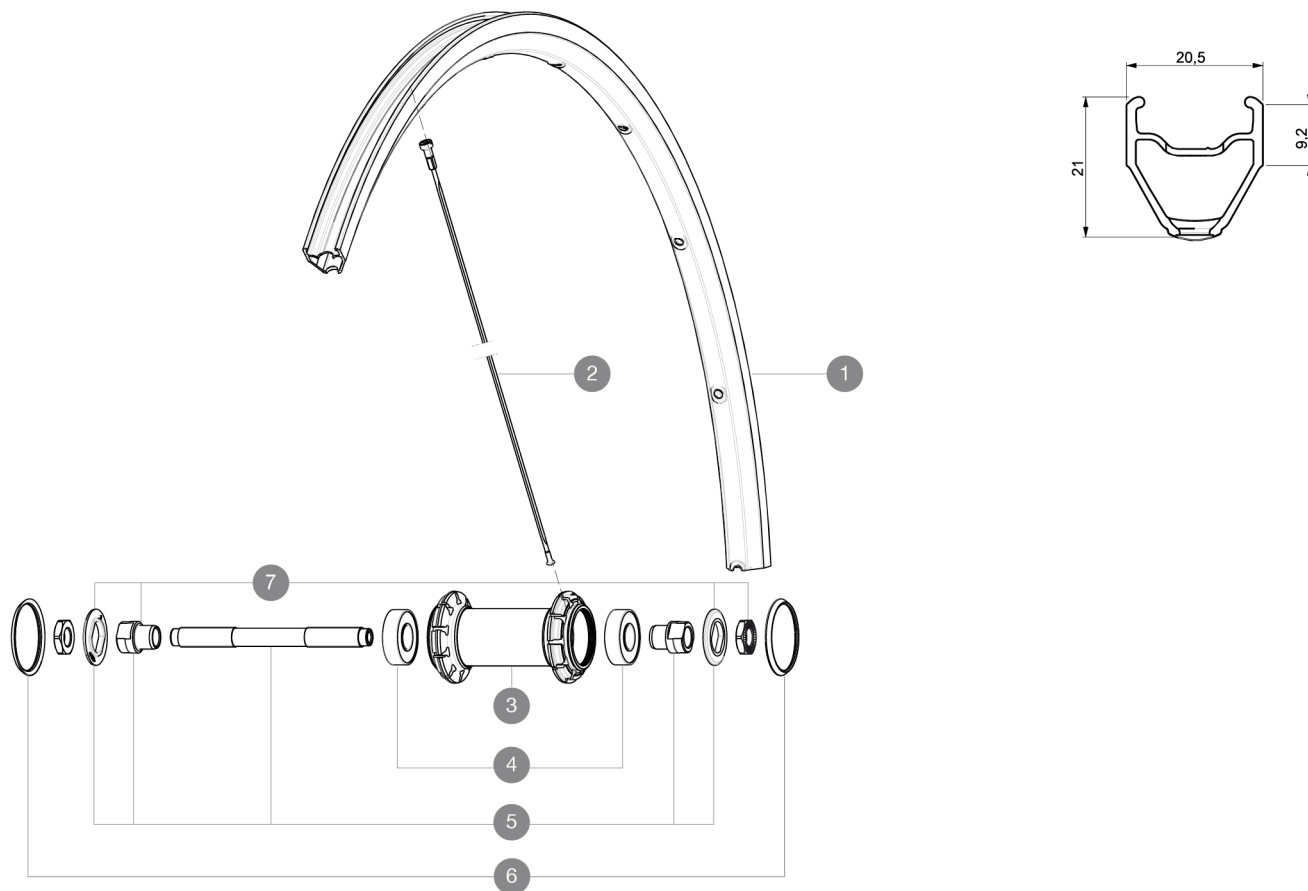


REFERENCES WHEELS

F05301 Aksium Elite Ft



RIMS



VALVE HOLE ? (MM): 6.5 :

1	V2290715	KIT FRONT/REAR RIM AKSIUM ELITE
---	----------	---------------------------------

SPOKES

2	V4160101	Kit 10 stainless spokes 285 Ft Ksyrium Equipe S/Ft & NDS Aks
2	10844901	KIT 10 FT KSYRIUM EQ S/FT+NDS AKSIUM SPK 285mm - while stock
	10845001	KIT 10 DS AKSIUM STEEL AERO SPOKES 299mm

HUB SHELLS

3	N/A	HUB BODY
4	M40318	KIT 2 HUB BEARINGS 6001
5	99603701	FRONT AXLE QRM ROAD 2008
6	N/A	HUB BODY
7	99603801	SHORT EXPENSIBLE BEARING SUPPORTS > 2008

MAINTENANCE

12738501	Road Innertube Presta 48mm
----------	----------------------------

TYRES

35570423	Aksion 014 White 23
----------	---------------------

MAVIC *Aksium Elite***DELIVERED WITH**

BR101 quick releases	
Rim tape	
User guide	

Specifications**RIMS**

- **Material** : S6000 Aluminum
- **Height** : 24 mm
- **Joint** : sleeved
- **Drilling** : traditional with H2 reinforcement
- **Brake track** : UB Control
- **Valve hole diameter** : 6.5 mm
- **Tyre** : clincher
- **ETRTO size** : 622x15C
- **Recommended tyre sizes** : 19 to 32 mm

SPOKES

- **Material** : steel
- **Shape** : straight pull, bladed
- **Nipples** : brass, ABS
- **Count** : 20 front and rear
- **Lacing** : radial front and rear non-drive side, crossed 2 rear drive side

WHEEL HUB

- **Front and rear bodies** : aluminum
- **Axle material** : steel
- Sealed cartridge bearings
- **Freewheel** : FTS-L steel

WHEEL WEIGHTS

Wheel weight 800