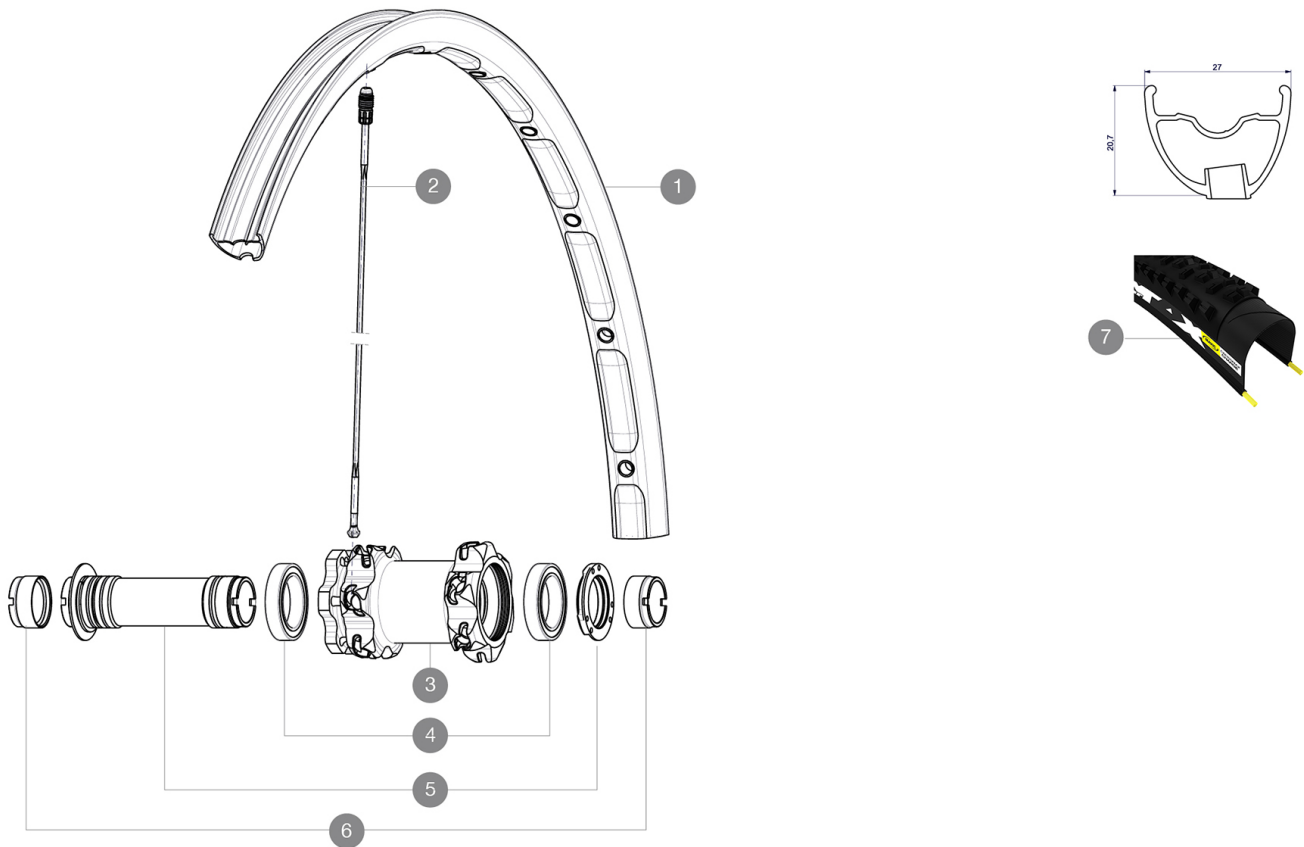


REFERENCES WHEELS



RIMS



&NBSP;:

1	36646010	"KIT FRONT CROSSMAX ENDURO 26"" RIM"
---	----------	--------------------------------------

SPOKES

2	36646801	KIT 12 FT CROSSMAX ENDURO ALU SPK 261,5mm
---	----------	-------------------------------------------

HUB SHELLS

3	N/A	HUB BODY
4	M40179	FRONT HUB BEARING KIT 20mm AXLE
5	30870501	FRONT AXLE 20mm CROSSMAX + DEEMAX ULTI 2012

TYRES

7	35629624	Crossmax Charge 26
---	----------	--------------------

ADAPTERS

6	12982901	ADAPTER Ft 20x110mm
---	----------	---------------------

MAVIC Crossmax Enduro WTS

DELIVERED WITH

BX601 rear quick release	
UST valve and accessories	
Front 15 mm adapters	
Front 20 mm adapters	
Rear QR adapters	
Rear 12x142mm adapters	
Specific disc bolts	
Multifunction adjustment wrench	
User guide	

Specifications

RIMS

- **Material** : Maxtal
 - **Joint** : SUP
 - **Drilling** : Fore
- Disc brake specific profile
- **Weight reduction** : ISM
 - **Valve hole diameter** : 6.5 mm
 - **Tyre** : UST Tubeless and tubetype
 - **Internal width** : 21 mm front and 19mm rear
 - **ETRTO size 26"** : 559x21C front & 559x19C rear
 - **ETRTO size 650b/27.5"** : 584x21C front & 584x19C rear
 - **Recommended tyre sizes** : 2.0 to 2.5

SPOKES

- **Material** : Zicral
- **Shape** : straight pull, bladed
- **Nipples** : Fore integrated aluminum
- **Count** : 24 front and 20 rear
- **Lacing** : front crossed 2, rear Isopulse

WHEEL HUB

- **Front and rear bodies** : aluminum
 - **Axle material** : aluminum
- Adjustable sealed cartridge bearings
- **Freewheel** : ITS-4 alloy
- Shimano 11 speeds compatible
XD Compatible (XX1-X01) with optional kit

WHEEL WEIGHTS

Weight Front 26": 825
Weight Front 27.5": 850