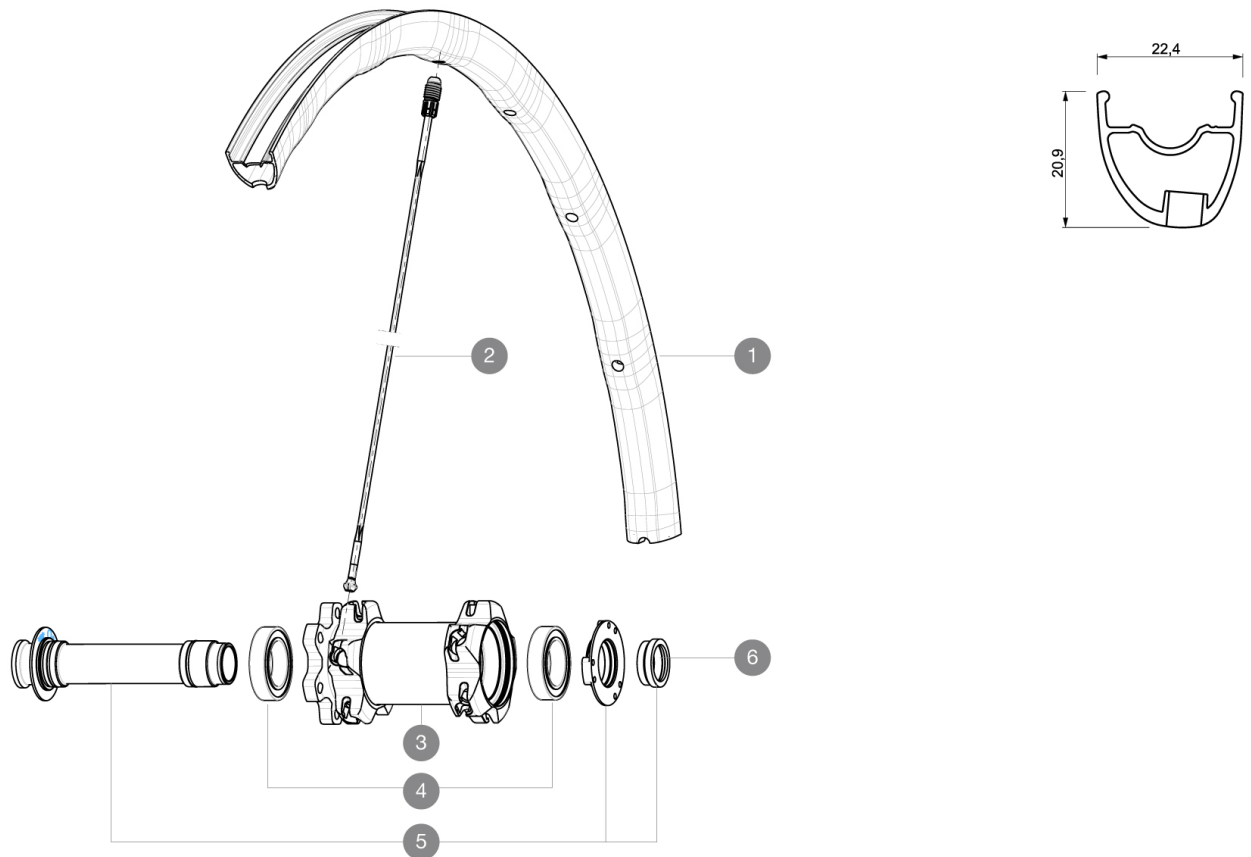


## REFERENCES WHEELS

F01401 Crossmax SL 26FT



### RIMS



VALVE HOLE  $\varnothing$  (MM): 6.5 :

1 V2310110 KIT FRONT RIM CROSSMAX SL/SL PRO BLACK 26"

### SPOKES

2 30864201 KIT 10 FT/NDS M7/7 CROSSMAX SLR 12 SPK 269mm

### HUB SHELLS

3	N/A	HUB BODY
4	99688501	BEARING KIT 9/12/15 D6T HUB 20x32x7 6804
5	99688201	9/15 6B FRT AXLE CROSSMAX/KSY PRO CARBON SL C
6	10846501	FRONT FORK SUPPORT FOR 15mm AXLE

# MAVIC Crossmax SL

## DELIVERED WITH

BX601 quick releases	
UST valve and accessories	
Front 15 mm adapters	
Rear QR adapters	
Rear 12x142mm adapters	
Specific disc bolts	
Computer magnet (front wheel)	
Multifonction adjustment wrench	
User guide	

## Specifications

### RIMS

- **Material** : Mactal
  - **Joint** : SUP
  - **Drilling** : Fore
- Disc brake specific profile
- **Weight reduction** : ISM4D
  - **Valve hole diameter** : 6.5 mm
  - **Tyre** : UST Tubeless and tubetype
  - **Internal width** : 19 mm
  - **ETRTO size 26"** : 559x19C
  - **ETRTO size 650b/27.5"** : 584x19C
  - **ETRTO size 29"** : 622x19C
  - **Recommended tyre sizes** : 1.5 to 2.3

### SPOKES

- **Material** : Zicral
- **Shape** : straight pull, bladed
- **Nipples** : Fore integrated aluminum
- **Count** : 20 front and rear
- **Lacing** : front crossed 2, rear Isopulse

### WHEEL HUB

- **Front body** : carbon with aluminum flanges
  - **Rear body** : aluminum
  - **Axle material** : aluminum
- Adjustable sealed cartridge bearings
- **Freewheel** : ITS-4 alloy
- Shimano 11 speeds compatible  
XD Compatible (XX1-X01) with optionnal kit

### WHEEL WEIGHTS

Wheel weight  
Weight Front 26": 630  
Weight Front 27.5": 665  
Weight Front 29": 690