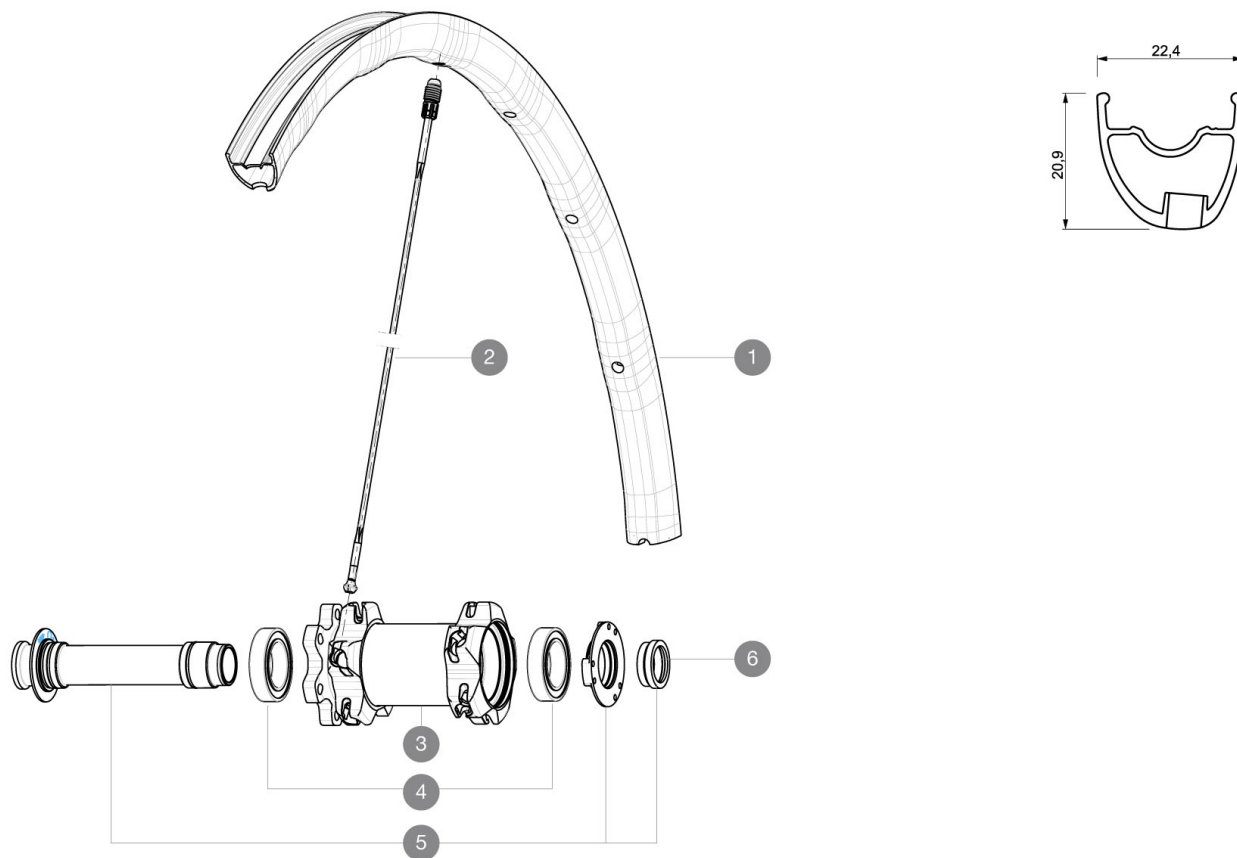


参照ホイール

F01501 Crossmax SL 27.5Ft



RIMS



バルブ穴径 (MM) : 6.5 :

1	V2310210	KIT FRONT RIM CROSSMAX SL 2015 27,5"
---	----------	--------------------------------------

SPOKES

2	36675001	"10 SPOKES OPP DRIVE SIDE CROSSMAX SLR/ENDURO 650b/27,5" 28
---	----------	--

HUB SHELLS

3	N/A	HUB BODY
4	99688501	BEARING KIT 9/15 D6T HUB
5	99688201	9/15 D6T HUB FRONT AXLE
6	10846501	FRONT FORK SUPPORT FOR 15mm AXLE

MAVIC

Crossmax SL 27.5

付属品

BX601 quick releases	
UST valve and accessories	
Front 15 mm adapters	
Rear QR adapters	
Rear 12x142mm adapters	
Specific disc bolts	
Computer magnet (front wheel)	
Multifunction adjustment wrench	
User guide	

Specifications

リム

- Material : Maxtal
- Joint : SUP
- Drilling : Fore
- Disc brake specific profile
- Weight reduction : ISM4D
- Valve hole diameter : 6.5 mm
- Tyre : UST Tubeless and tubetype
- Internal width : 19 mm
- ETRTO size 26" : 559x19C
- ETRTO size 650b/27.5" : 584x19C
- ETRTO size 29" : 622x19C
- Recommended tyre sizes : 1.5 to 2.3

スポーク

- Material : Zicral
- Shape : straight pull, bladed
- Nipples : Fore integrated aluminum
- Count : 20 front and rear
- Lacing : front crossed 2, rear Isopulse

ホイールハブ

- Front body : carbon with aluminum flanges
- Rear body : aluminum
- Axle material : aluminum
- Adjustable sealed cartridge bearings
- Freewheel : ITS-4 alloy
- Shimano 11 speeds compatible
- XD Compatible (XX1-X01) with optional kit

ホイールの重み

ホイール重量 (クイックリリースおよびクリンチャー/チューブラーを除く) (g) : 665