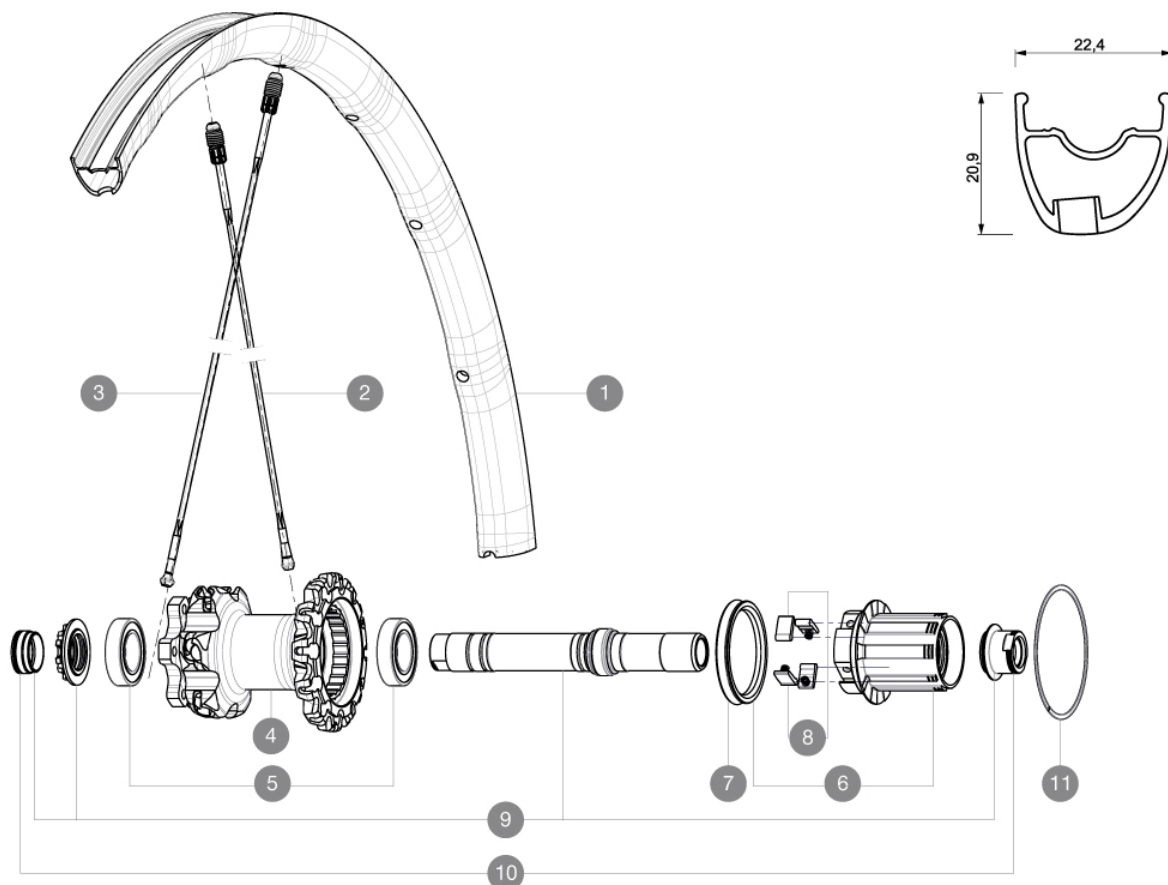


参照ホイール

R16301 Crossmax SL 27.5Rr



RIMS



バルブ穴径 (MM) : 6.5 :

1	V2310513	KIT REAR RIM CROSSMAX SL 2015 27,5"
---	----------	-------------------------------------

SPOKES

2	36675101	"10 SPOKES DRIVE SIDE CROSSMAX SLR/ENDURO 650b/27,5"
3	36675001	25 SPOKES OPP DRIVE SIDE CROSSMAX SLR/ENDURO 650b/27,5" 28

HUB SHELLS

4	N/A	HUB BODY
5	M40076	HUB BEARINGS 17x30x7 6903 x 2
6	35126001	ITS-4 FREEWHEEL BODY + SEAL 2013 (WITHOUT PAWLS)
7	99610701	ITS4 SEAL
8	99610601	ITS4 PAWLS KIT
9	30870401	REAR AXLE KIT ITS4 135mm D6T/DCL 2012
11	30871801	ELASTIC RING 56mm diam.

ADAPTERS

10	30872201	FORK REST ITS-4 135mm REAR AXLE > 2012
----	----------	--

MAVIC Crossmax SL 27.5

付属品

BX601 quick releases	
UST valve and accessories	
Front 15 mm adapters	
Rear QR adapters	
Rear 12x142mm adapters	
Specific disc bolts	
Computer magnet (front wheel)	
Multifunction adjustment wrench	
User guide	

Specifications

リム

- Material : Maxtal
- Joint : SUP
- Drilling : Fore
- Disc brake specific profile
- Weight reduction : ISM4D
- Valve hole diameter : 6.5 mm
- Tyre : UST Tubeless and tubetype
- Internal width : 19 mm
- ETRTO size 26" : 559x19C
- ETRTO size 650b/27.5" : 584x19C
- ETRTO size 29" : 622x19C
- Recommended tyre sizes : 1.5 to 2.3

スポーク

- Material : Zicral
- Shape : straight pull, bladed
- Nipples : Fore integrated aluminum
- Count : 20 front and rear
- Lacing : front crossed 2, rear Isopulse

ホイールハブ

- Front body : carbon with aluminum flanges
- Rear body : aluminum
- Axle material : aluminum
- Adjustable sealed cartridge bearings
- Freewheel : ITS-4 alloy
- Shimano 11 speeds compatible
- XD Compatible (XX1-X01) with optional kit

ホイールの重み

ホイール重量 (クイックリリースおよびクリンチャー/チューブラーを除く) (g) : 805