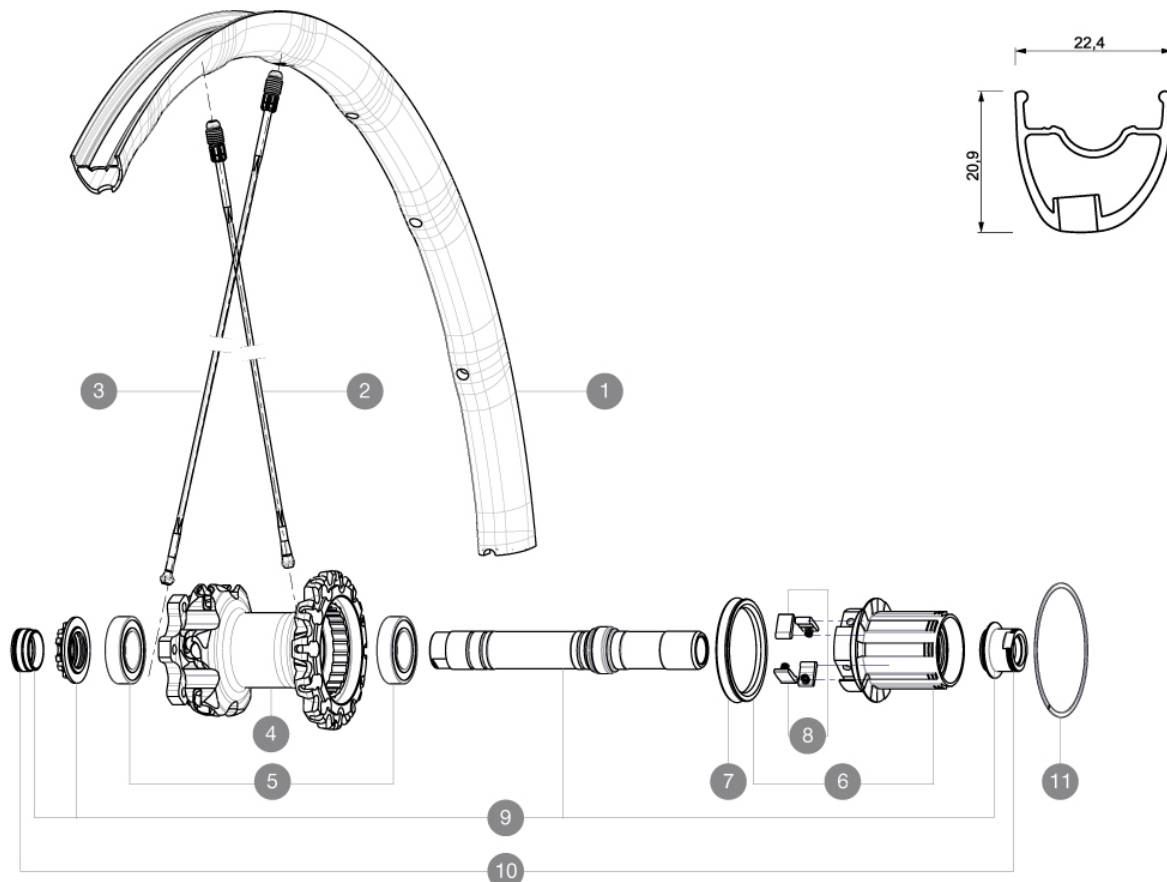


REFERENCES WHEELS

R16301 Crossmax SL 27.5Pr



RIMS



VALVE HOLE \bar{A} (MM): 6.5 :

1 V2310513 KIT REAR RIM CROSSMAX SL/SL PRO BLACK 27,5"

SPOKES

2 36675101 "KIT 10 DS XMAX SLR/END/PRO/DEEMAX PRO 27,5"" SPK 251,5mm"
3 36675001 "KIT 10 NDS XMAX SLR/ENDURO 27,5"" ALU SPK 281,5mm"

HUB SHELLS

4 N/A HUB BODY
5 M40076 HUB BEARINGS 17x30x7 6903 x 2
6 35126001 ITS-4 FREEWHEEL BODY + SEAL 2013 (NO PAWLS)
7 99610701 ITS-4 FREEWHEEL SEAL
8 99610601 PAWLS KIT FOR ITS-4 (OR TS-2)
9 30870401 REAR QRIM + AXLE KIT ITS4 135mm from 2012
11 30871801 ELASTIC RING 56mm diam. ITS-4 20 SPOKES

ADAPTERS

10 30872201 FRAME SUPPORT ITS-4 135mm REAR AXLE > 2012

MAVIC *Crossmax SL 27.5***DELIVERED WITH**

BX601 quick releases	
UST valve and accessories	
Front 15 mm adapters	
Rear QR adapters	
Rear 12x142mm adapters	
Specific disc bolts	
Computer magnet (front wheel)	
Multifonction adjustment wrench	
User guide	

Specifications**RIMS**

- **Material** : Mactal
 - **Joint** : SUP
 - **Drilling** : Fore
- Disc brake specific profile
- **Weight reduction** : ISM4D
 - **Valve hole diameter** : 6.5 mm
 - **Tyre** : UST Tubeless and tubetype
 - **Internal width** : 19 mm
 - **ETRTO size 26"** : 559x19C
 - **ETRTO size 650b/27.5"** : 584x19C
 - **ETRTO size 29"** : 622x19C
 - **Recommended tyre sizes** : 1.5 to 2.3

SPOKES

- **Material** : Zicral
- **Shape** : straight pull, bladed
- **Nipples** : Fore integrated aluminum
- **Count** : 20 front and rear
- **Lacing** : front crossed 2, rear Isopulse

WHEEL HUB

- **Front body** : carbon with aluminum flanges
 - **Rear body** : aluminum
 - **Axle material** : aluminum
- Adjustable sealed cartridge bearings
- **Freewheel** : ITS-4 alloy
- Shimano 11 speeds compatible
XD Compatible (XX1-X01) with optional kit

WHEEL WEIGHTS

Wheel weight 805