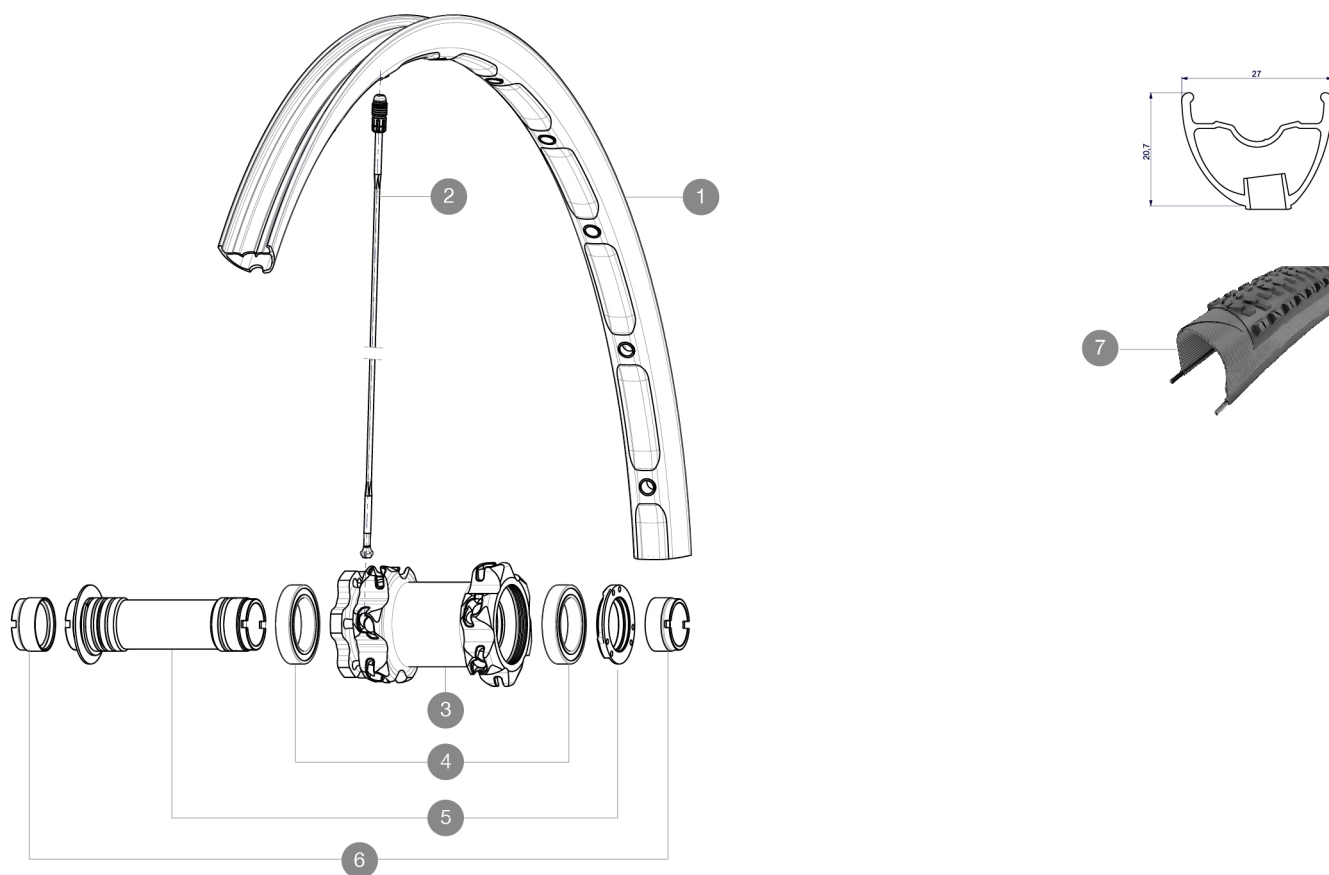


参照ホイール

F02801 Crossmax XL 26Ft WTS



## RIMS



バルブ穴径 (MM) : 6.5 :

1	V2310710	KIT FRONT RIM CROSSMAX XL 2015 26"
---	----------	------------------------------------

## SPOKES

2	36646801	12 SPOKES FRONT CROSSMAX ENDURO 261,5mm
---	----------	---

## HUB SHELLS

3	N/A	HUB BODY
4	M40179	FRONT BEARING 25x37x7 20mm AXLE
5	30870501	FRONT AXLE 20mm CROSSMAX ST/SX + DEEMAX ULTI 2012

## ADAPTERS

6	12982901	20mm adapter for Crossmax ST/SX (front wheel)
---	----------	---

# MAVIC Crossmax XL WTS

## 付属品

BX601 rear quick release	
UST valve and accessories	
Front 15 mm adapters	
Rear QR adapters	
Rear 12x142mm adapters	
Specific disc bolts	
Computer magnet (front wheel)	
Multifonction adjustment wrench	
User guide	

## Specifications

### リム

- Material : Maxtal
- Drilling : Fore
- Weight reduction : ISM
- Tyre : UST Tubeless and tubetype
- Internal width : 23 mm
- ETRTO size 26" : 559x23C
- ETRTO size 27.5" : 584x23C
- ETRTO size 29" : 622x23C

### スポーク

- Material : Zicral
- Shape : straight pull, round
- Nipples : Fore integrated aluminum
- Count : 24 front and rear
- Lacing : front crossed 2, rear Isopulse

### ホイールハブ

- Front and rear bodies : aluminum
- Axle material : aluminum
- Adjustable sealed cartridge bearings
- Freewheel : ITS-4 alloy
- Shimano 11 speeds compatible
- XD Compatible (XX1-X01) with optional kit

### ホイールの重み

- ホイール重量 (クイックリリースおよびクリンチャー/チューブラーを除く) (g) :
- Weight Front 26": 790
  - Weight Front 27.5": 815
  - Weight Front 29": 850