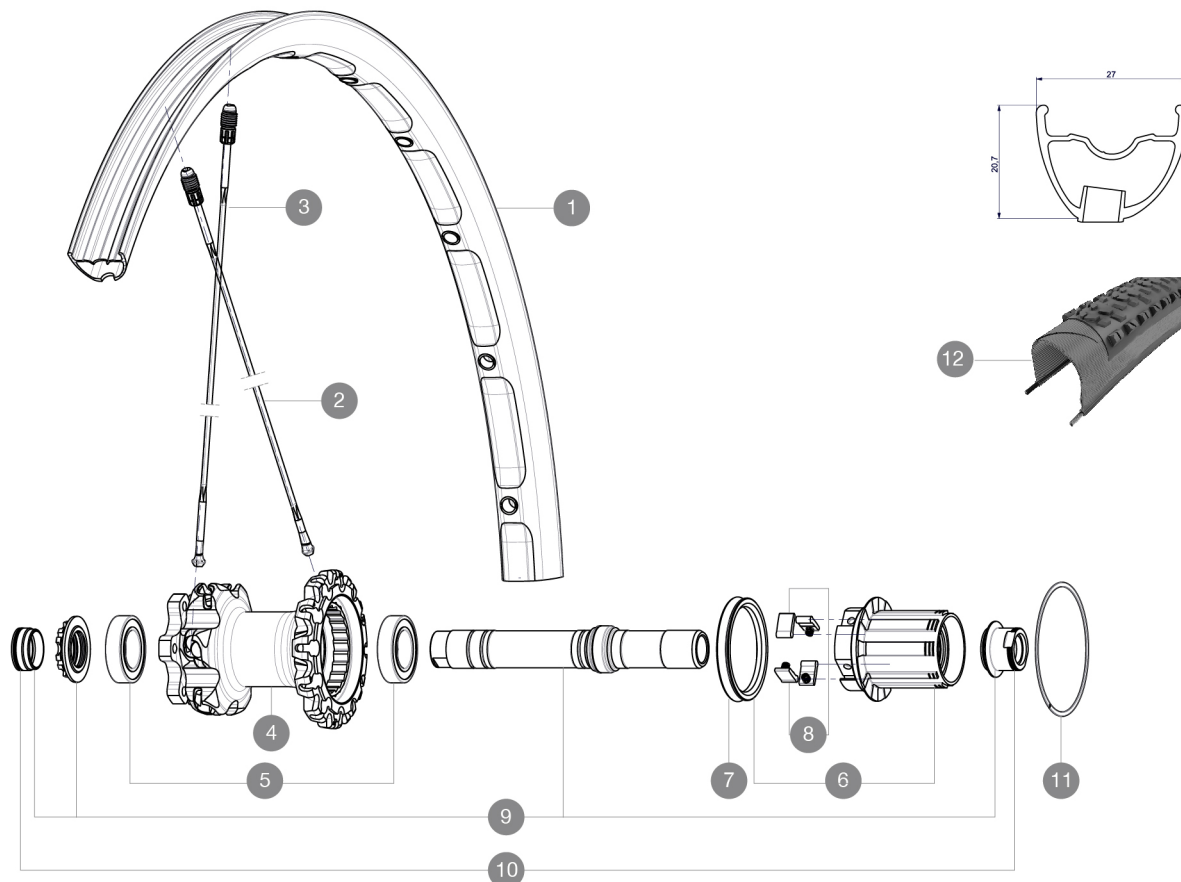


参照ホイール

R17601 Crossmax XL 26Rr WTS



RIMS



バルブ穴径 (MM) : 6.5 :

1	V2311013	KIT REAR RIM CROSSMAX XL 2015 26"
---	----------	-----------------------------------

SPOKES

2	36647201	10 SPOKES DRIVE SIDE CROSSMAX ENDURO 239mm
3	36646801	12 SPOKES FRONT CROSSMAX ENDURO 261,5mm

HUB SHELLS

4	N/A	HUB BODY
5	M40076	HUB BEARINGS 17x30x7 6903 x 2
6	35126001	ITS-4 FREEWHEEL BODY + SEAL 2013 (WITHOUT PAWLS)
7	99610701	ITS4 SEAL
8	99610601	ITS4 PAWLS KIT
9	30870401	REAR AXLE KIT ITS4 135mm D6T/DCL 2012
11	30871801	ELASTIC RING 56mm diam.

ADAPTERS

10	30872201	FORK REST ITS-4 135mm REAR AXLE > 2012
----	----------	--



# Crossmax XL WTS

## 付属品

BX601 rear quick release	
UST valve and accessories	
Front 15 mm adapters	
Rear QR adapters	
Rear 12x142mm adapters	
Specific disc bolts	
Computer magnet (front wheel)	
Multifonction adjustment wrench	
User guide	

## Specifications

### リム

- Material : Maxtal
- Drilling : Fore
- Weight reduction : ISM
- Tyre : UST Tubeless and tubetype
- Internal width : 23 mm
- ETRTO size 26" : 559x23C
- ETRTO size 27.5" : 584x23C
- ETRTO size 29" : 622x23C

### スポーク

- Material : Zicral
- Shape : straight pull, round
- Nipples : Fore integrated aluminum
- Count : 24 front and rear
- Lacing : front crossed 2, rear Isopulse

### ホイールハブ

- Front and rear bodies : aluminum
- Axle material : aluminum
- Adjustable sealed cartridge bearings
- Freewheel : ITS-4 alloy
- Shimano 11 speeds compatible
- XD Compatible (XX1-X01) with optionnal kit

### ホイールの重み

- ホイール重量 (クイックリリースおよびクリンチャー/チューブラーを除く) (g) :
- Weight Rear 26": 870
  - Weight Rear 27.5": 895
  - Weight Rear 29": 930