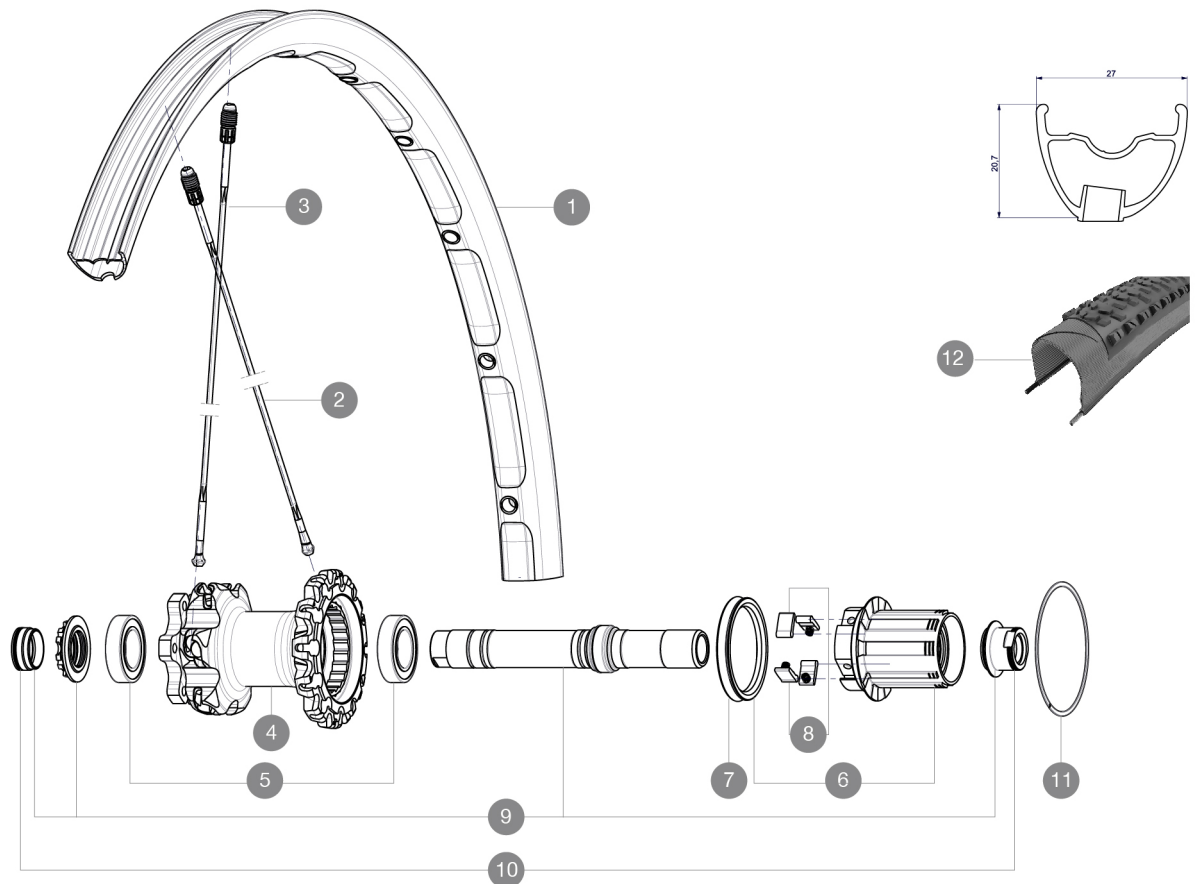


REFERENCES WHEELS

R17601 Crossmax XL 26Rr WTS



RIMS



VALVE HOLE \varnothing (MM): 6.5 :

1 V2311013 KIT REAR RIM CROSSMAX XL 2015 26"

SPOKES

2 36647201 KIT 10 DS CROSSMAX ENDURO ALU SPK 239mm
3 36646801 KIT 12 FT CROSSMAX ENDURO ALU SPK 261,5mm

HUB SHELLS

4 N/A HUB BODY
5 M40076 HUB BEARINGS 17x30x7 6903 x 2
6 35126001 ITS-4 FREEWHEEL BODY + SEAL 2013 (NO PAWLS)
7 99610701 ITS-4 FREEWHEEL SEAL
8 99610601 PAWLS KIT FOR ITS-4 (OR TS-2)
9 30870401 REAR QRM + AXLE KIT ITS4 135mm from 2012
11 30871801 ELASTIC RING 56mm diam. ITS-4 20 SPOKES

ADAPTERS

10 30872201 FRAME SUPPORT ITS-4 135mm REAR AXLE > 2012

MAVIC *Crossmax XL WTS***DELIVERED WITH**

BX601 rear quick release	
UST valve and accessories	
Front 15 mm adapters	
Rear QR adapters	
Rear 12x142mm adapters	
Specific disc bolts	
Computer magnet (front wheel)	
Multifonction adjustment wrench	
User guide	

Specifications**RIMS**

- **Material** : Mxstal
- **Drilling** : Fore
- **Weight reduction** : ISM
- **Tyre** : UST Tubeless and tubetype
- **Internal width** : 23 mm
- **ETRTO size 26"** : 559x23C
- **ETRTO size 27.5"** : 584x23C
- **ETRTO size 29"** : 622x23C

SPOKES

- **Material** : Zicral
- **Shape** : straight pull, round
- **Nipples** : Fore integrated aluminum
- **Count** : 24 front and rear
- **Lacing** : front crossed 2, rear Isopulse

WHEEL HUB

- **Front and rear bodies** : aluminum
 - **Axle material** : aluminum
- Adjustable sealed cartridge bearings
- **Freewheel** : ITS-4 alloy
- Shimano 11 speeds compatible
XD Compatible (XX1-X01) with optional kit

WHEEL WEIGHTS

Wheel weight
Weight Rear 26": 870
Weight Rear 27.5": 895
Weight Rear 29": 930